



Manufacturing Company, Inc.

12700 Tanner Road
Houston, Texas 77041

Phone: (713) 466-4777
Fax: (713) 466-6547

JOB APPLICATION-MANUFACTURING

Please Print All Information

Date: _____

Position Applied For: _____

Last Name:	First Name:	Middle Name:
Address:		
Telephone Number(s):		

Shift(s) Willing to Work:

First Shift

Second Shift

Third Shift

You are Available to Work:

Full Time

Part Time

Temporary

Date you can begin Work: _____

Salary or Hourly Rate Expected: _____ per Week Hour

Have you ever been employed by us before? Yes No

If Yes, Dates: _____

Are you currently employed? Yes No

May we contact your present employer? Yes No

Are you 18 Years or Older? Yes No

Are you prevented from lawfully becoming employed in this country due to Visa or Immigration status? Yes No

(Proof of Citizenship or Immigration Status is Required upon employment)

Have you been convicted of a crime within the last seven (7) years? Yes No

(other than Traffic Violation. Conviction will not necessarily disqualify an applicant from employment)

If yes, please explain: _____



Manufacturing Company, Inc.

12700 Tanner Road
Houston, Texas 77041

Phone: (713) 466-4777
Fax: (713) 466-6547

JOB APPLICATION-MANUFACTURING

Education

School Address	Credits Earned	Major	Diploma/Degree
High School:			
College:			
Technical/Other:			

Employment

List below all present and past employment, beginning with your most recent. All times must be accounted for whether employed or not. Attach additional sheet if necessary.

Name & Address of Company & Type of Business	From		To		Describe in detail work you did and title	Weekly Start Salary/ Hourly Rate	Weekly End Salary/ Hourly Rate	Reason for Leaving	Name, Title & Phone No. of Supervisor
	Mo	Yr	Mo	Yr					

Describe in detail any Specialized Training, Computer or Office Equipment Skills, Certifications, Licenses or On-The-Job Training Programs you have completed: _____



Manufacturing Company, Inc.

12700 Tanner Road
Houston, Texas 77041

Phone: (713) 466-4777
Fax: (713) 466-6547

JOB APPLICATION-MANUFACTURING

Licenses and Certifications:

Please list any licenses or certifications held and the dates obtained (CDL, Skilled Trade License, etc.):

1.	4.
2.	5.
3.	6.

Craft Related Experience:

Please list the years of work experience you have in any of the following:

Carpenter	Laborer (unskilled)	Foreman	Welder
Crane	Mechanic	Structural Fitter	Quality
Die Setting	Machine Builder	Industrial Painter	Inspection
Maintenance (facilities)	Machine Operator	Plant Operator	
Maintenance (machine)	Machine Repair	Laborer (semi-skilled)	

Personal References:

Name:	Company:	Relationship:
Address:		Phone:
Name:	Company:	Relationship:
Address:		Phone:
Name:	Company:	Relationship:
Address:		Phone:



Manufacturing Company, Inc.

12700 Tanner Road
Houston, Texas 77041

Phone: (713) 466-4777
Fax: (713) 466-6547

JOB APPLICATION-MANUFACTURING

(Please read carefully before signing.)

I understand that an investigative consumer report involving information concerning my character, employment history, general reputation, police record, personal habits, mode of living, credit rating and indebtedness may be obtained prior to any final offer of employment. Upon a timely written request to the personnel department of the company, the nature and scope of the report will be disclosed to me.

I certify that the answers by me in this employment application are true, correct and complete. I agree that the company shall not be liable, in any respect, if my employment is terminated because of misstatements or pertinent omissions made by me in this application. Moreover, I understand that all offers of employment are contingent upon passing the company's prescribed physical examination and drug screening.

I agree, as a condition of my employment (should I be employed by the Company), to submit to a medical examination if requested and based on the position that I accept, I further agree to the search or examination of myself or personal property while on the company's premises or while conducting its business elsewhere. I also authorize any company, school, police or security personnel, or other person to give any information regarding my employment, habits, ability, or any other characteristics whatsoever; together with any information they have regarding me whether or not it is in their records. I hereby release all physicians, examiners, companies, schools, or other persons from liability for any damages whatsoever for such testing, examining, or issuing this information. It is agreed and understood that completion of this application does not mean a job opening exists and in no way obligates the company to employ me.

In the event of employment, I will comply with all company rules and regulations as established from time to time including the company's substance abuse policy. I am willing to work all assigned overtime or other special work assignments as requested by the company. Furthermore, since the company does not offer contracts of employment (unless signed by the President), I understand that nothing contained herein is intended to create a contract between the company and me for either employment or the provision of any compensation or benefits. I understand that I have the right to terminate my employment at any time and likewise, the company has the same right.

I hereby understand and acknowledge that any employment relationship with this Company is of an "At-Will" nature, which means that the Employee may resign at any time and the Employer may discharge Employee at any time, with or without notice, and with or without cause. It is further understood that this "At-Will" employment relationship may not be changed by any written document or by verbal agreement unless such change is specifically acknowledged in writing by an authorized Executive of this Company. I also understand that Rilco Manufacturing Co., Inc. retains the right to amend, modify, add, or delete any or all policies or procedures at its sole and absolute discretion.

During my employment with Rilco Manufacturing Co., Inc. and after my employment ends, I agree not to disclose any confidential or proprietary information regarding operating and trade secrets. I further agree that with respect to any civil litigation involving Rilco Manufacturing Co., Inc. in which I am a potential witness and which does not involve an actual or potential claim by me personally I will not discuss the facts of the case with any third parties without first notifying Rilco Manufacturing Co., Inc. or unless a representative or attorney of Rilco Manufacturing Co., Inc. is present. A copy of this form may be used as the original. The use of results from this form and/or tests will be used for prudent employment decisions.

This application is valid for sixty days from the application date unless renewed in person or in writing.

Applicant's Signature: _____

Date: _____



Manufacturing Company, Inc.

12700 Tanner Road
Houston, Texas 77041

Phone: (713) 466-4777
Fax: (713) 466-6547

JOB APPLICATION-MANUFACTURING

Welder Test

Name: _____ Date: _____

1. How long have you been a welder?

2. What type of welding process have you used?

3. What welding wire/electrode types have you used?

4. What positions tests have you taken and passed?

5. What manufacturer of welding equipment have you used?

6. What is a WPS or welding procedure Specification?

7. What is back grinding?

8. What is arc gouge used for?

9. What is preheating used for?

10. What is post heat used for?

NAME	DATE	TEL. #

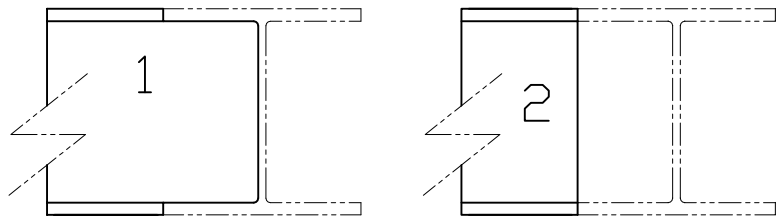
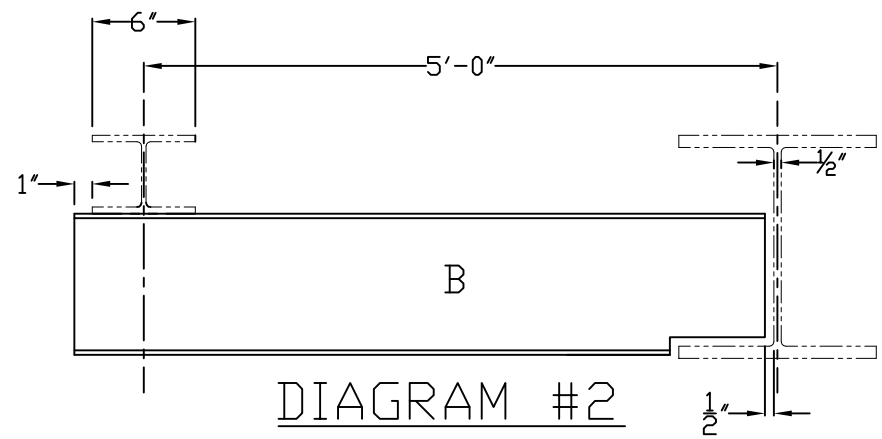
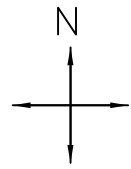
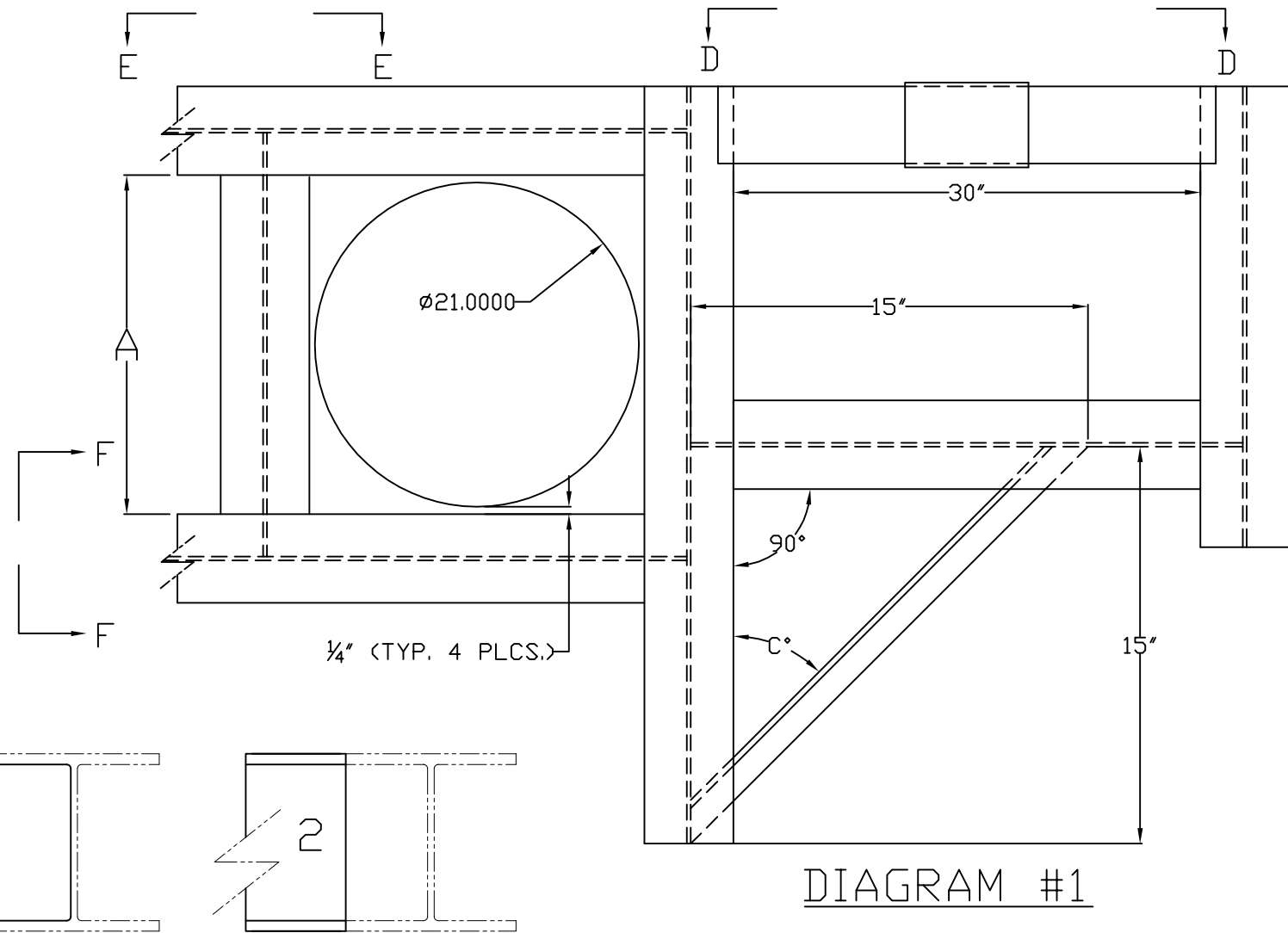
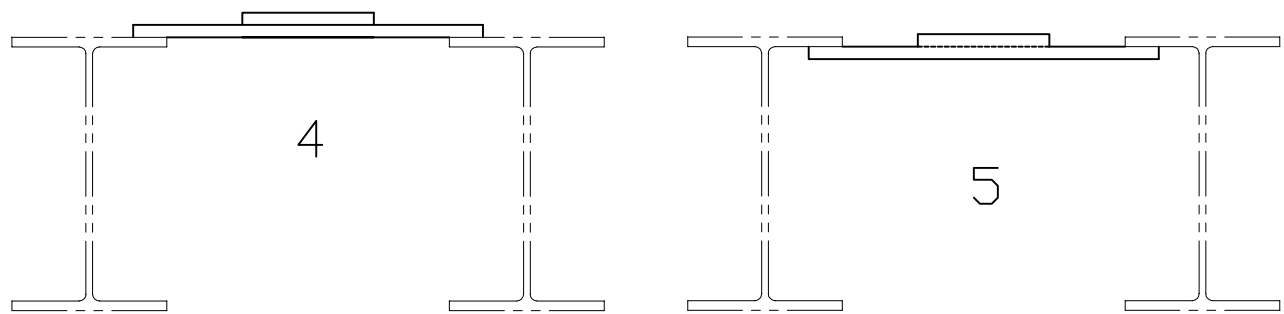
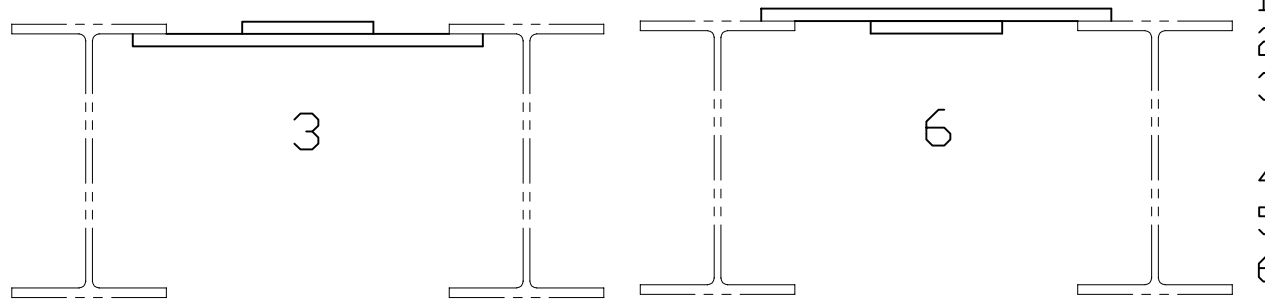


DIAGRAM #1

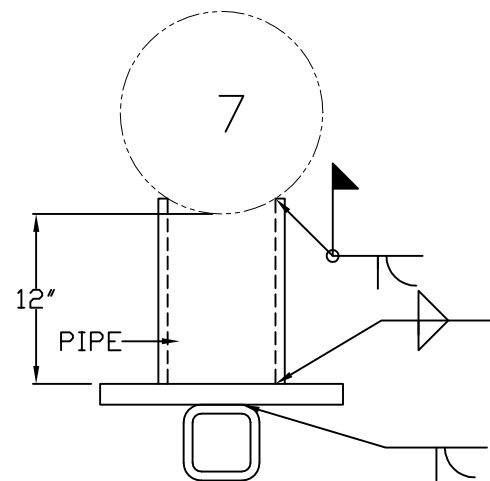
DIAGRAM #2



DETAILS

SEE DIAGRAM #1 ABOVE FOR QUESTIONS 1-5 BELOW

- 1) WHAT IS DIMENSION "A"?
- 2) WHAT IS THE MEASUREMENT OF ANGLE "C"?
- 3) WHICH OF THE FOLLOWING DETAILS (1-6) MOST ACCURATELY REPRESENTS SECTION "D-D"?
- 4) WHICH DETAIL BEST REPRESENTS SECTION "F-F"?
- 5) WHAT IS THE LENGTH OF ITEM "B"?
- 6) CIRCLE THE WRONG WELDING SYMBOL BELOW.



ANSWERS

- 1) _____
- 2) _____
- 3) _____
- 4) _____
- 5) _____
- 6) _____



RILCO MANUFACTURING CO., INC.
 11435 BRITTMOORE PARK DR.
 HOUSTON, TEXAS 77041
 PHONE 713-466-4777 FAX 713-466-6547

STRUCTURAL FITTING TEST