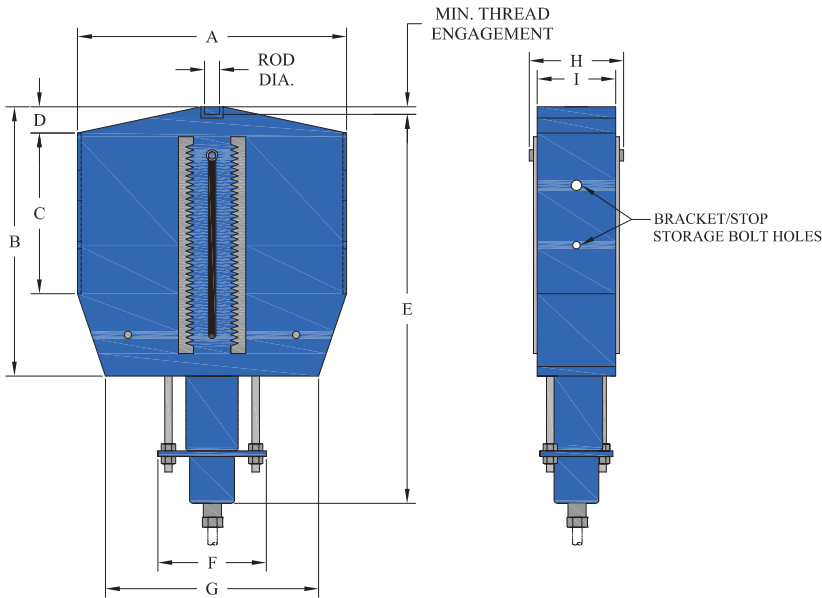




U.S. Customary Units

RCR Single Unit Assemblies
 1/2" to 3/4" Hanger rod diameter
 50-2200 pound capacity



See the A, B, C's of Constant types for top mount arrangements available.

E* refers only to the uppermost blocking position. Downward travel increases E dimension directly.

Min thread Engagement = 1.5x rod diameter

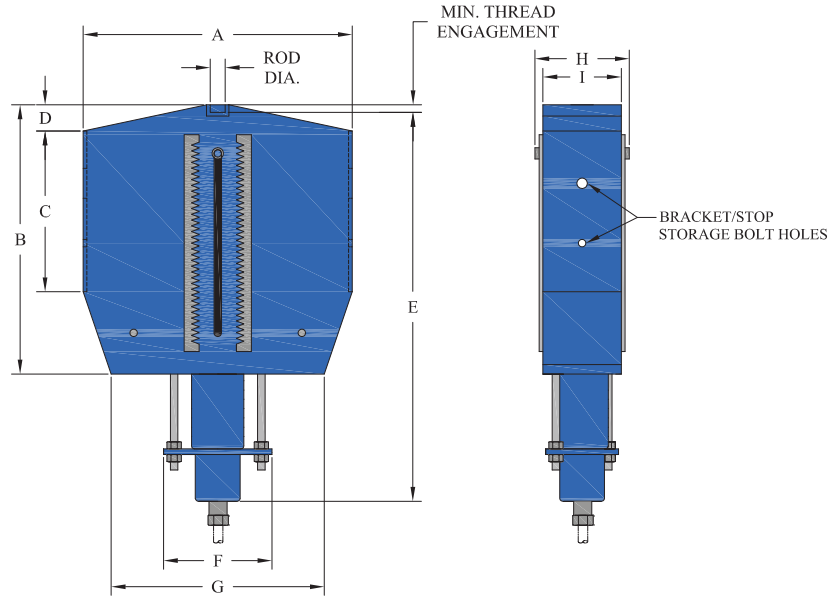
RILCO CAM ROLLER™ Identifier	A	B	C	D	E*	F	G	H	I	Rod Diameter	Est. Unit Wt lbs.
RCR 50-3	13.75	18	10.5	1.5	20.75	6	10	5.25	14.25	1/2 UNC	31
RCR 50-6	13.75	18	10.5	1.5	20.75	6	10	5.25	14.25	1/2 UNC	31
RCR 125-3	11.75	9.75	7.75	0	13.75	6	9	4.25	3.5	1/2 UNC	22
RCR 125-6	16.25	17.5	11	1.75	21.5	6.75	10.25	5.25	4.25	1/2 UNC	42
RCR 175-18	18.25	31.25	17.75	1	48.25	6	11.5	5.25	4.25	1/2 UNC	115
RCR 275-3	15.25	10.5	5.25	1	14.75	5.5	11.25	5.25	4.25	1/2 UNC	33
RCR 275-6	16.25	17.5	10.75	0.75	25.5	5.5	11.25	5.25	4.25	1/2 UNC	55
RCR 225-12	17.25	25.25	12.75	1	36.75	5.5	11.25	5.25	4.25	1/2 UNC	75
RCR 275-12	18.25	31.25	17.75	1	48.25	6	11.5	5.25	4.25	1/2 UNC	115
RCR 400-18	20.75	32	18	1	47.75	7.75	14.5	6.5	5.25	1/2 UNC	165
RCR 400-12	19	25	12.5	1.75	37.25	7.25	14.25	6.25	5.25	1/2 UNC	106
RCR 550-3	17.5	10.75	5.5	0.75	15.25	7	13.75	6.25	5.25	1/2 UNC	46
RCR 550-6	18	18	10.75	1.75	25.5	7.25	14.25	6.25	5.25	1/2 UNC	77
RCR 550-12	20.75	32	18	1	47.75	7.75	14.5	6.5	5.25	1/2 UNC	165
RCR 800-18	23.5	32.75	18.25	2	49.5	7.75	14.5	6.75	5.25	1/2 UNC	223
RCR 900-12	20.75	25.5	14.5	2	38.25	7.5	14.25	6.75	5.25	1/2 UNC	134
RCR 1100-3	17.5	10.75	6.5	0.5	15.25	7.5	14.25	6.75	5.25	1/2 UNC	60
RCR 1100-6	19.25	18.5	10.25	2.75	26.5	7.5	14.25	6.75	5.25	1/2 UNC	95
RCR 1100-12	23.5	32.75	18.25	2	49.5	7.75	14.5	6.75	5.25	1/2 UNC	223
RCR 1200-6	19.75	12.5	10.25	1	17.5	8.75	15.75	7.25	6	3/4 UNC	97
RCR 1650-18	26.25	33.75	21.25	2.5	54	9.5	16.5	7.5	6	3/4 UNC	331
RCR 1800-12	24	26.5	14.5	2.25	42.25	8.75	16.25	7.25	6	3/4 UNC	203
RCR 2200-3	19.75	12.5	10.25	1	17.5	8.75	15.75	7.25	6	3/4 UNC	97
RCR 2200-6	22.5	19.5	9.75	4.25	26.25	8.75	16.25	7.25	6	3/4 UNC	146
RCR 2200-12	26.25	33.75	21.25	2.5	54	9.5	16.5	7.5	6	3/4 UNC	331

All dimensions shown are in inches U.N.O.

U.S. Customary Units

RCR Single Unit Assemblies
 1" to 2-1/4" Hanger rod diameter
 3250-21500 pound capacity

E* refers only to the uppermost blocking position.
 Downward travel increases E dimension directly.



RILCO CAM ROLLER™ Identifier	A	B	C	D	E*	F	G	H	I	Rod Diameter	Est. Unit Wt lbs.
RCR 3250-18	33.25	34.75	20.75	2.25	55.25	11.25	19.25	9	7.5	1 UNC	467
RCR 3500-12	29.25	27.75	16.25	3	43.5	11.25	19.25	9	7.5	1 UNC	350
RCR 4300-3	23.25	13.5	8.25	1.25	18.5	10.75	19.25	9	7.5	1 UNC	161
RCR 4300-6	28	20.25	11.25	4.25	30.25	10.75	19.25	9	7.5	1 UNC	253
RCR 4300-12	33.25	34.75	20.75	2.25	55.25	11.25	19.25	9	7.5	1 UNC	467
RCR 5900-18	34.75	36.5	18	4.75	64.25	13.5	23.5	10.75	9	1-1/2 UNC	743
RCR 7100-12	33.25	29.5	14	6	50.5	13.5	23.5	10.75	9	1-1/2 UNC	582
RCR 7500-18	45	52.25	25.5	6	80	13.5	23.5	11	9.25	1-1/2 UNC	1090
RCR 8000-12	34.75	36.5	18	4.75	64.25	13.5	23.5	10.75	9	1-1/2 UNC	743
RCR 8500-3	28.5	16.5	9.5	1.5	21.75	13.25	22.75	10.75	9	1-1/2 UNC	295
RCR 8500-6	32	22.25	11.75	6.25	35.24	13.25	22.75	10.75	9	1-1/2 UNC	403
RCR 8500-12	45	52.25	25.5	6	80	13.5	23.5	11	9.25	1-1/2 UNC	1090
RCR 9000-18	45.75	38.5	26.25	2.5	67.25	15.75	26	12	10	1-3/4 UNC	1213
RCR 10600-12	39.25	31	15.75	7.75	54	15.75	25.5	11.75	10	1-3/4 UNC	833
RCR 11200-18	50.25	56	28	8.25	84.75	15.75	26	12	10	1-3/4 UNC	1520
RCR 12400-18	47.25	44	29.25	5	82	16.5	27.25	12.5	10	1-3/4 UNC	1612
RCR 13000-3	30.75	18	11.25	2	24	15	25.5	11.75	10	1-3/4 UNC	430
RCR 13000-6	33.5	25	11.75	5.5	37.25	15	25.5	11.75	10	1-3/4 UNC	578
RCR 13000-12	45.75	38.5	26.25	2.5	67.25	15.75	26	12	10	1-3/4 UNC	1213
RCR 14400-12	43.75	36.5	15.25	12	64.75	15.75	26.5	12.5	10	2 UNC	112
RCR 15100-18	49.5	64	33.5	9.75	101.75	16.5	27.25	12.75	10.25	2 UNC	2130
RCR 17300-3	32	23	13	2	27.75	15.25	25.5	12.5	10	2 UNC	580
RCR 17300-6	37.25	28.25	13.5	8.5	45	15.25	25.5	12.5	10	2 UNC	802
RCR 17300-12	47.25	44	29.25	5	82	16.5	27.25	12.5	10	2 UNC	1612
RCR 18100-12	48	37.75	15	15	68.25	18	30.25	13.75	10.75	2-1/4 UNC	1493
RCR 18900-18	51.5	63.75	31.5	11.5	106.25	18	30.25	14	11	2-1/4 UNC	2490
RCR 21500-3	34	24.75	13.75	2	30	17.25	29.5	13.75	10.75	2-1/4 UNC	741
RCR 21500-6	43	31	14	9.75	46.75	17.25	29.5	13.75	10.75	2-1/4 UNC	1047
RCR 21500-12	49.5	43	23	9.75	84	18	30.25	14	11	2-1/4 UNC	1900

All dimensions shown are in inches U.N.O.