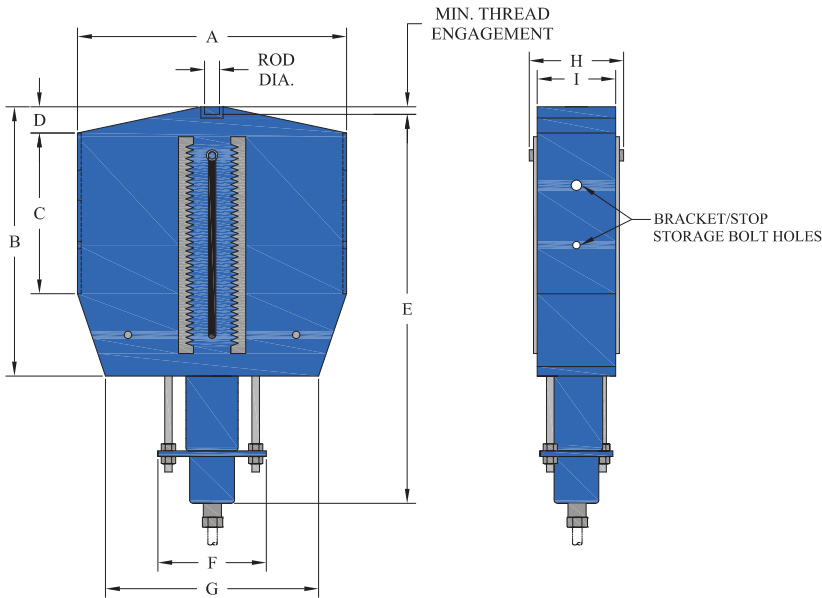


**Metric Units of Measure**

**RCR Single Unit Assemblies  
12.7 mm to 19 mm Hanger rod diam-  
eter**



See the A, B, C's of Constant types for top mount arrangements available.

E\* refers only to the uppermost blocking position. Downward travel increases E dimension directly.

Min thread Engagement = 1.5x rod diameter

Hanger rod provided in U.S. customary units. See rod diameter in tables below.

RILCO CAM ROLLER™ Identifier	A	B	C	D	E*	F	G	H	I	Rod Diameter	Est. Unit Wt kg.
<b>RCR 50-3</b>	349	457	267	38	527	152	254	133	362	12.7 (1/2")	14.1
<b>RCR 50-6</b>	349	457	267	38	527	152	254	133	362	12.7 (1/2")	14.1
<b>RCR 125-3</b>	298	248	197	0	349	152	229	108	89	12.7 (1/2")	10.0
<b>RCR 125-6</b>	412	445	279	45	546	172	260	133	108	12.7 (1/2")	19.1
<b>RCR 175-18</b>	463	794	451	25	1226	152	292	133	108	12.7 (1/2")	52.2
<b>RCR 275-3</b>	387	267	133	25	374	140	286	133	108	12.7 (1/2")	15.0
<b>RCR 275-6</b>	412	445	273	19	647	140	286	133	108	12.7 (1/2")	24.9
<b>RCR 225-12</b>	438	641	324	25	934	140	286	133	108	12.7 (1/2")	34.0
<b>RCR 275-12</b>	463	794	451	25	1226	152	292	133	108	12.7 (1/2")	52.2
<b>RCR 400-18</b>	527	813	457	25	1213	197	368	165	133	12.7 (1/2")	74.8
<b>RCR 400-12</b>	482	635	318	45	946	184	362	159	133	12.7 (1/2")	48.1
<b>RCR 550-3</b>	444	273	140	19	387	178	349	159	133	12.7 (1/2")	20.9
<b>RCR 550-6</b>	457	457	273	45	648	184	362	159	133	12.7 (1/2")	34.9
<b>RCR 550-12</b>	527	813	457	25	1213	197	368	165	133	12.7 (1/2")	74.8
<b>RCR 800-18</b>	596	832	464	51	1257	197	368	172	133	12.7 (1/2")	101.2
<b>RCR 900-12</b>	527	648	368	51	972	191	362	172	133	12.7 (1/2")	60.8
<b>RCR 1100-3</b>	444	273	165	13	387	191	362	172	133	12.7 (1/2")	27.2
<b>RCR 1100-6</b>	489	470	260	70	673	191	362	172	133	12.7 (1/2")	43.1
<b>RCR 1100-12</b>	596	832	464	51	1257	197	368	172	133	12.7 (1/2")	101.2
<b>RCR 1200-6</b>	501	318	260	25	445	222	400	184	152	19 (3/4")	44.0
<b>RCR 1650-18</b>	666	857	540	64	1372	241	419	191	152	19 (3/4")	150.1
<b>RCR 1800-12</b>	609	673	368	57	1073	222	413	184	152	19 (3/4")	92.1
<b>RCR 2200-3</b>	501	318	260	25	445	222	400	184	152	19 (3/4")	44.0
<b>RCR 2200-6</b>	572	495	248	108	667	222	413	184	152	19 (3/4")	66.2
<b>RCR 2200-12</b>	667	857	540	64	1372	241	419	191	152	19 (3/4")	150.1

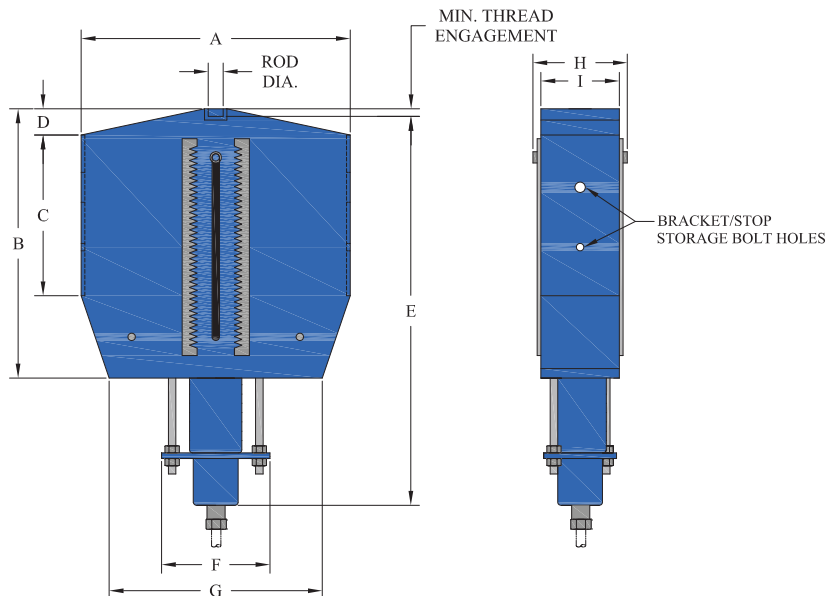
**All dimensions shown are in millimeters U.N.O.**

**Metric Units of Measure**

**RCR Single Unit Assemblies**  
 25.4 mm to 57 mm Hanger rod diameter  
 1474-9752 kilogram capacity

E\* refers only to the uppermost blocking position.  
 Downward travel increases E dimension directly.

Hanger rod provided in U.S. customary units.  
 See rod diameter in tables below.



RILCO CAM ROLLER™ Identifier	A	B	C	D	E*	F	G	H	I	Rod Diameter	Est. Unit Wt kg.
RCR 3250-18	845	883	527	57	1403	286	489	229	191	25.4 (1")	211.8
RCR 3500-12	743	705	413	76	1105	286	489	229	191	25.4 (1")	158.8
RCR 4300-3	591	343	210	32	470	273	489	229	191	25.4 (1")	73.0
RCR 4300-6	711	514	286	108	768	273	489	229	191	25.4 (1")	114.8
RCR 4300-12	845	883	527	57	1403	286	489	229	191	25.4 (1")	211.8
RCR 5900-18	883	927	457	121	1632	343	597	273	229	38 (1-1/2")	337.0
RCR 7100-12	845	749	356	152	1283	343	597	273	229	38 (1-1/2")	264.0
RCR 7500-18	1143	1327	648	152	2032	343	597	279	235	38 (1-1/2")	494.4
RCR 8000-12	883	927	457	121	1632	343	597	273	229	38 (1-1/2")	337.0
RCR 8500-3	724	419	241	38	553	337	578	273	229	38 (1-1/2")	133.8
RCR 8500-6	813	565	299	159	895	337	578	273	229	38 (1-1/2")	182.8
RCR 8500-12	1143	1327	648	152	2032	343	597	279	235	38 (1-1/2")	494.4
RCR 9000-18	1162	978	667	64	1708	400	660	305	254	44 (1-3/4")	550.2
RCR 10600-12	997	787	400	197	1372	400	648	299	254	44 (1-3/4")	377.8
RCR 11200-18	1276	1422	711	210	2153	400	660	305	254	44 (1-3/4")	689.5
RCR 12400-18	1200	1118	743	127	2083	419	692	318	254	44 (1-3/4")	731.2
RCR 13000-3	781	457	286	51	610	381	648	299	254	44 (1-3/4")	195.0
RCR 13000-6	851	635	299	140	946	381	648	299	254	44 (1-3/4")	262.2
RCR 13000-12	1162	978	667	64	1708	400	660	305	254	44 (1-3/4")	550.2
RCR 14400-12	1111	927	387	305	1645	400	673	318	254	50.8 (2")	50.8
RCR 15100-18	1257	1626	851	248	2585	419	692	324	260	50.8 (2")	966.2
RCR 17300-3	813	584	330	51	705	387	648	318	254	50.8 (2")	263.1
RCR 17300-6	946	718	343	216	1143	387	648	318	254	50.8 (2")	363.8
RCR 17300-12	1200	1118	743	127	2083	419	692	318	254	50.8 (2")	731.2
RCR 18100-12	1219	959	381	381	1734	457	768	349	273	57 (2-1/4")	677.2
RCR 18900-18	1308	1619	800	292	2699	457	768	356	279	57 (2-1/4")	1129.4
RCR 21500-3	864	629	349	51	762	438	749	349	273	57 (2-1/4")	336.1
RCR 21500-6	1092	787	356	248	1188	438	749	349	273	57 (2-1/4")	474.9
RCR 21500-12	1257	1092	584	248	2134	457	768	356	279	57 (2-1/4")	861.8

**All dimensions shown are in millimeters U.N.O.**