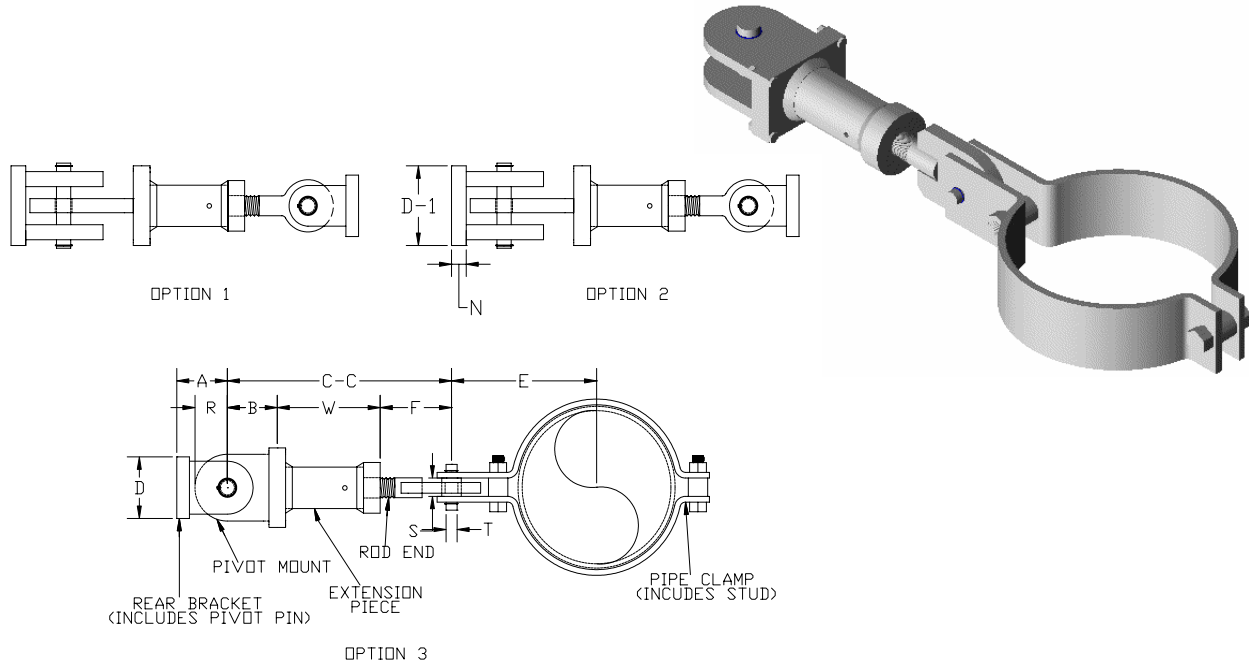


Mini Sway Strut

PART# 802



FINISH: Black, Galvanized, or coated to customer specifications.

APPLICATIONS: Used to restrain movement of piping in one direction while providing for movement due to thermal expansion or contraction in another direction.

FEATURES:

- Assembly provides a shorter C to C dimension.
- Effective under either tensile or compressive force.
- Self-aligning bushings permits a plus or minus 5-degree misalignment or angular motion. Bushings are coated with dry lubricant.

ORDERING: Specify assembly size, part number, name, O.D. or option number, if other than standard, and load.

Ex: Size A-1, Part #802 Mini Sway Strut 10³/₄ O.D. pipe, 650#. Alloy pipe clamps are available as a special order.

For restraint parallel to the pipe axis using two sway strut assemblies, a riser clamp is available. If a riser clamp is required, consult the nearest RILCO "Support Team" member for assistance and information about this clamp.

Load (lbs) • Weight (lbs) • Dimensions (inches)

Assembly Size	Load	C-C		F		W	Rod End	A	D	D1	N	R	S	T Nom.	B
		Max	Min	Max	Min										
A	A-1	6 ⁵ / ₈	5 ³ / ₈	2 ¹³ / ₁₆	1 ⁹ / ₁₆	2 ⁵ / ₈	3/4	1	2	1 ¹ / ₄	1/4	5/8	5/8	3/8	1 ³ / ₁₆
	A-2	8 ¹ / ₂	6 ¹ / ₂	4 ¹ / ₄	2 ¹ / ₄	3 ¹ / ₁₆									
	A-3	13 ¹ / ₄	8 ¹ / ₂	6 ¹ / ₄	1 ¹ / ₂	5 ¹³ / ₁₆									
B & C	BC-1	6 ¹ / ₂	6	2 ⁷ / ₈	2 ³ / ₈	1 ¹ / ₂	1 ³ / ₈	2 ¹ / ₂	2	2 ³ / ₈	5/8	1 ³ / ₈	1 ³ / ₈	3/4	2 ¹ / ₈
	BC-2	7 ³ / ₄	6 ⁵ / ₈	3 ¹ / ₂	2 ³ / ₈	2 ¹ / ₈									
	BC-3	8 ¹¹ / ₁₆	7 ⁹ / ₁₆	3 ¹³ / ₁₆	2 ¹¹ / ₁₆	2 ³ / ₄									
	BC-4	10 ¹⁵ / ₁₆	8 ¹¹ / ₁₆	4 ¹⁵ / ₁₆	2 ¹¹ / ₁₆	3 ⁷ / ₈									
	BC-5	15 ⁷ / ₁₆	10 ¹⁵ / ₁₆	7 ³ / ₁₆	2 ¹¹ / ₁₆	6 ¹ / ₈									
	BC-6	19 ⁹ / ₁₆	15 ⁷ / ₁₆	9 ¹ / ₄	5 ¹ / ₈	8 ³ / ₁₆									
I	1-1	8 ⁷ / ₈	8	3 ¹¹ / ₁₆	2 ¹³ / ₁₆	2 ¹⁵ / ₁₆	1 ¹ / ₄	2 ¹ / ₂	2	2 ⁷ / ₈	3/4	1 ⁹ / ₁₆	1 ³ / ₈	1	2 ¹ / ₄
	1-2	10 ⁵ / ₈	8 ⁷ / ₈	4 ⁹ / ₁₆	2 ¹³ / ₁₆	3 ¹³ / ₁₆									
	1-3	11 ⁷ / ₈	10 ¹ / ₄	4 ¹³ / ₁₆	3 ³ / ₁₆	4 ¹³ / ₁₆									
	1-4	15 ¹ / ₈	11 ¹ / ₈	6 ¹ / ₁₆	3 ³ / ₁₆	6 ¹ / ₁₆									
	1-5	21 ⁵ / ₈	15 ¹ / ₈	9 ¹¹ / ₁₆	3 ³ / ₁₆	9 ¹¹ / ₁₆									