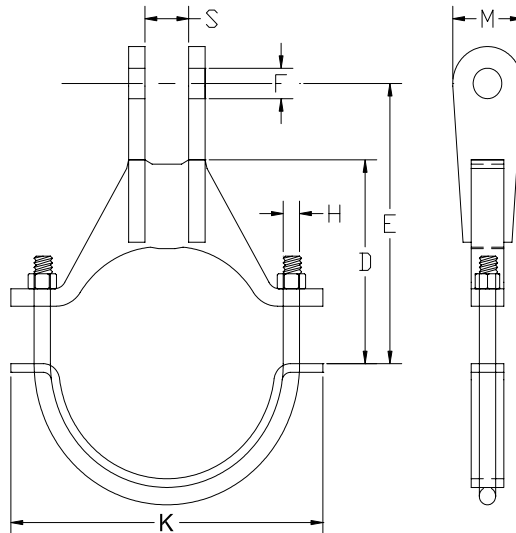
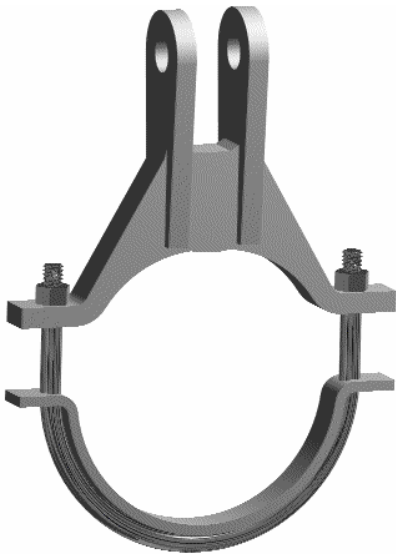


Part # 325

Heavy Duty Alloy Steel Pipe Clamp



SIZE RANGE: 10" to 24" inches.

MATERIAL TYPES: Chrome molybdenum steel except U-bolt which is stainless steel.

FINISH: Black, Galvanized, or coated to customer specifications.

APPLICATIONS: Recommended for suspension high temperature pipe requiring up to 6" of insulation.

APPROVALS: Complies with Manufacturers Standardization Society SP-69 (Type 2)

MAXIMUM TEMPERATURE: 1075°F (580°C)

ORDERING: Specify pipe size (nominal and exact), part number, name and finish. Special Alloy filler plates will be provided, at an extra charge, when the O.D. of the pipe size is other than standard, Installation instructions are attached to the clamp when the filler plates are required.

Load (lbs) • Weight (lbs) • Dimensions (inches)

Pipe Size	*Maximum Load				Weight	D	Rod Take Out E	F	H	K	M	S
	950° F	1000° F	1050° F	1075° F								
10	13500	11780	7850	6120	42.00	9 1/8	12	1 1/2	1	15 3/8	3 1/4	2
12	16500	14910	9940	7750	58.00	10 3/4	13 3/4	1 5/8	1 1/4	17 7/8	4	2 1/4
14	16500	14910	9940	7750	63.00	11 1/2	14 1/2	1 5/8	1 1/4	19 1/8	4	2 1/4
16	16500	14910	9940	7750	69.00	13 1/8	16 3/8	1 5/8	1 1/4	21 1/8	4	2 1/4
18	19000	18410	12270	9570	94.00	14 1/2	18 1/4	2	1 1/4	24 1/8	4 1/2	2 1/2
20	19000	18410	12270	9570	104.00	15 3/4	19 1/2	2	1 1/4	26 1/8	4 1/2	2 1/2
24	25000	22280	14850	11580	167.00	18 1/4	22	2 1/4	1 3/8	30 3/4	6	3

* Based on Allowable stresses shown in the ASME Code for Pressure Piping