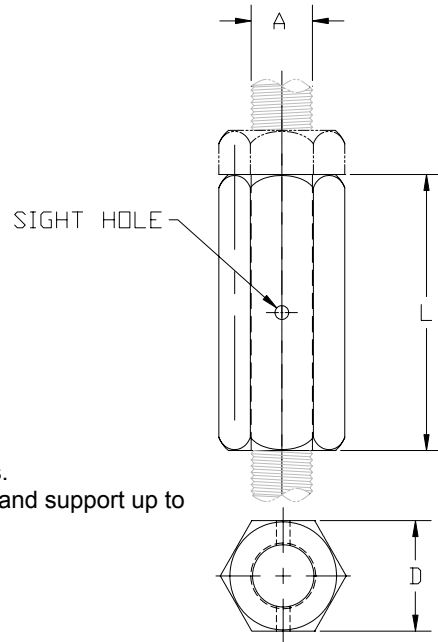
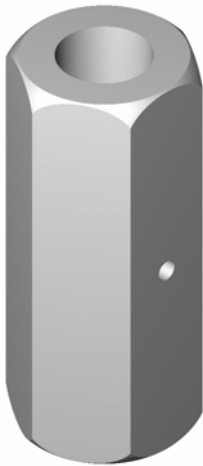


# Part # 281

**Steel Rod Coupling**  
**Straight With Sight-Hole: Part # 281**  
**Straight Less Sight-Hole: Part # 281E**  
**Reducing: Part # 281R**



**MATERIAL TYPES:** Carbon Steel  
**FINISH:** Black, Galvanized, or custom coated to customer specifications.  
**SERVICE:** For connecting rods to accommodate up to 1" inch diameter and support up to 4960 pounds.  
**ORDERING:** Specify rod size, part number, name, and finish.

**Loads (lbs) • Weights (lbs) • Dimensions (inches)**

Rod Size A	*Maximum Load	Weight	D	L
<b>Part # 281</b>				
3/8	730	.09	5/8	1 3/4
1/2	1350	.12	3/4	1 1/2
5/8	2160	.24	15/16	1 7/8
3/4	3230	.42	1 1/8	2 1/4
7/8	4480	.66	1 5/16	2 5/8
1	5900	1	1 1/2	3
<b>Part # 281E</b>				
1/4	240	.03	3/8	7/8
3/8	730	.09	5/8	1 3/4
1/2	1350	.14	11/16	1 3/4
5/8	2160	.26	13/16	2 1/4
3/4	3230	.34	1	2 1/4
<b>Part # 281R</b>				
3/8 X 1/4	240	.13	5/8	1 3/4
1/2 X 3/8	730	.13	11/16	1 3/4
5/8 X 1/2	1350	.19	13/16	2 1/8
3/4 X 5/8	2160	.26	1	2 1/4
7/8 X 3/4	3230	.41	1 1/4	2 1/2

\* Based on Allowable stresses shown in the ASME Code for Pressure Piping