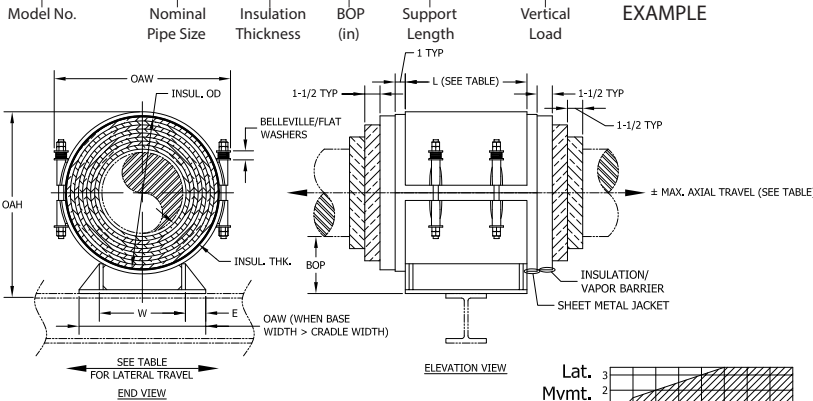


CS(H)CW - 8 x 30 - 4 - 12 - 5100

DESIGNATION EXAMPLE



L (in)*	Max. Axial Travel (in)	
	Centered	Offset
6	1.5	3
12	4.5	9

\* L + 6" for pipe sizes > 42"

NOTES:

- Slide plates required for 26" NPS & up.
- All dimensions in inches unless noted.

PIPE SIZE	VERT. LOAD (lbs)	INSULATION THICKNESS																			
		10mm				20mm				30mm				40mm				50mm			
		BOP (in)	INSUL. OD (in)	OAW (in)	OAH (in)	BOP (in)	INSUL. OD (in)	OAW (in)	OAH (in)	BOP (in)	INSUL. OD (in)	OAW (in)	OAH (in)	BOP (in)	INSUL. OD (in)	OAW (in)	OAH (in)	BOP (in)	INSUL. OD (in)	OAW (in)	OAH (in)
<b>Do you need special loads or dimensions for this design? Please contact us at (713) 466-4777 or sales@rilco.com!</b>																					
1/2"	350	4	1.7	5.5	5.5	4	2.5	7.5	6	4	3.3	8.5	6.5	4	4	9.5	7	4	4.8	10.5	7.5
3/4"	450	4	1.9	5.5	6	4	2.7	7.5	6.5	4	3.5	8.5	6.5	4	4.2	9.5	7	4	5	10.5	7.5
1"	600	4	2.2	5.5	6	4	2.9	7.5	6.5	4	3.7	8.5	7	4	4.5	9.5	7.5	4	5.3	10.5	7.5
1-1/2"	870	4	2.7	5.5	0	4	3.5	7.5	0	4	4.3	8.5	7.5	4	5.1	9.5	8	4	5.9	10.5	8.5
2"	1090	4	3.2	5.5	0	4	4	7.5	7.5	4	4.8	8.5	8	4	5.6	9.5	8.5	4	6.4	10.5	9
2-1/2"	1310	4	3.7	5.5	0	4	4.5	7.5	8	4	5.3	8.5	8.5	4	6.1	9.5	9	4	6.9	10.5	9.5
3"	1600	4	4.3	6	8.5	4	5.1	7.5	8.5	4	5.9	8.5	9	4	6.7	9.5	9.5	4	7.5	10.5	10
4"	2500	4	5.3	7	9.5	4	6.1	8	9.5	4	6.9	9	10	4	7.7	9.5	10.5	4	8.5	10.5	11
6"	3800	4	7.5	10	11.5	4	8.2	10.5	12	4	9	11.5	12.5	4	9.8	12	12.5	4	10.6	13	13
8"	5100	4	9.5	12	13.5	4	10.2	12.5	14	4	11	13.5	14.5	4	11.8	14	14.5	4	12.6	15	15
10"	6000	4	11.6	14	15.5	4	12.4	15	16	4	13.2	15.5	16.5	4	13.9	16.5	17	4	14.7	17	17
12"	6600	4	13.6	16	17.5	4	14.4	17	18	4	15.2	17.5	18.5	4	15.9	18.5	19	4	16.7	19	19
14"	7500	4	14.8	17	19	4	15.6	18	19.5	4	16.4	19	19.5	4	17.2	19.5	20	4	18	20.5	20.5
16"	8700	4	16.8	19	21	4	17.6	20	21.5	4	18.4	21	22	4	19.2	21.5	22	6	20	22.5	24.5
18"	9600	4	18.8	21.5	23	4	19.6	22.5	23.5	4	20.4	23.5	24	4	21.2	24	24	6	22	25	26.5
20"	10200	4	20.8	23.5	25	4	21.6	24.5	25.5	4	22.4	25.5	26	4	23.2	26	26	6	24	27	28.5
24"	10800	4	24.8	27.5	29	4	25.6	28.5	29.5	4	26.4	29.5	30	4	27.2	30	30.5	6	28	31	32.5
30"	14100	4	30.8	33.5	35	4	31.6	34.5	35.5	4	32.4	35.5	36	6	33.2	36	38.5	6	34	37	38.5
36"	20420	4	36.8	39.5	41	4	37.6	40.5	41.5	4	38.4	41.5	42	6	39.2	42	44.5	6	40	43	44.5
42"	31000	4	42.8	46	47	4	43.6	47	47.5	4	44.4	47.5	48	6	45.2	48.5	50.5	6	46	49	50.5
48"	34600	4	48.8	52	53	4	49.6	53	53.5	4	50.4	53.5	54	6	51.2	54.5	56.5	6	52	55	56.5
56"	40400	4	56.8	60	61	4	57.6	61	61.5	4	58.4	61.5	62	6	59.2	62.5	64.5	6	60	63	64.5
60"	43300	4	60.8	64	65	4	61.6	65	65.5	4	62.4	65.5	66	6	63.2	66.5	68.5	6	64	67	68.5
66"	47600	4	66.8	70	70	4	67.6	71	70.5	4	68.4	71.5	71	6	69.2	72.5	73.5	6	70	73	73.5
72"	52000	4	72.8	76	77	4	73.6	77	77.5	4	74.4	77.5	78	6	75.2	78.5	80.5	6	76	79	80.5

\*W - Dimension is calculated by multiplying (INSULATION OD\*0.55), when base is not a WT member.

**Applications & Features:**

- Temperature range to -460 Deg F to 195 Deg F
- Higher temperature applications available
- Teflon®/2B SS 304 slide plates on shoe and supporting steel on sizes 26" and larger
- Design loads based on a safety factor of 5
- A36 steel construction
- See technical specification RCS-750
- Test results available upon request
- Steel finish available in galvanized finish or painted
- Increased loading capability available. Contact Rilco for additional information
- Support constructed in accordance with ASME B31.1, B31.3 and MSS-SP58
- A307 or A193 B7 plated bolts/studs

\*\*For special applications or for information on other insulation thicknesses or pipe sizes, please contact us!\*\*

**Ordering Instructions:**

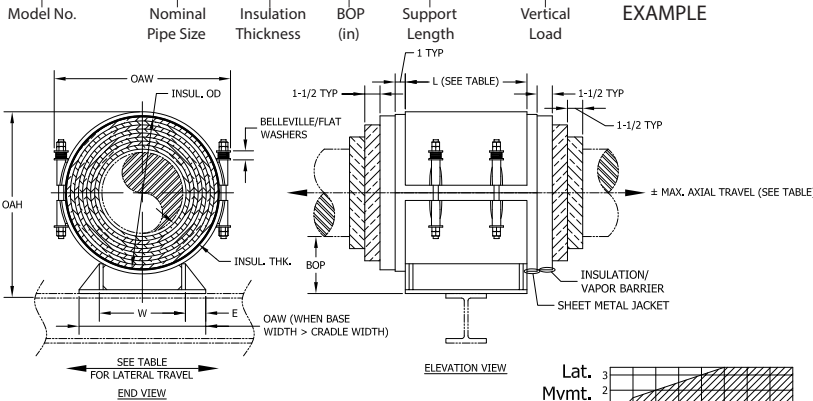
- To Order, Please Specify:
- Model Number
  - Nominal Pipe Size
  - Insulation Thickness
  - BOP
  - Support Length
  - Vertical Load
  - Movements

\* See last page of this document for new designation model number construction.

\*\* Information presented on this page subject to change without notice.

# CS(H)CW - 8 x 30 - 4 - 12 - 5100

DESIGNATION EXAMPLE



# CryoWrap Resting Support



L (in)*	Max. Axial Travel (in)	
	Centered	Offset
6	1.5	3
12	4.5	9

\* L + 6" for pipe sizes > 42"

**NOTES:**

- Slide plates required for 26" NPS & up.
- All dimensions in inches unless noted.

PIPE SIZE	VERT. LOAD (lbs)	INSULATION THICKNESS																			
		60mm				70mm				80mm				90mm				100mm			
		BOP (in)	INSUL. OD (in)	OAW (in)	OAH (in)	BOP (in)	INSUL. OD (in)	OAW (in)	OAH (in)	BOP (in)	INSUL. OD (in)	OAW (in)	OAH (in)	BOP (in)	INSUL. OD (in)	OAW (in)	OAH (in)	BOP (in)	INSUL. OD (in)	OAW (in)	OAH (in)
<b>Do you need special loads or dimensions for this design? Please contact us at (713) 466-4777 or sales@rilco.com!</b>																					
1/2"	350	4	5.6	12.5	7.5	6	6.4	12.5	10	6	7.2	12.5	10.5	6	8	12.5	11	6	8.8	12.5	11.5
3/4"	450	4	5.8	12.5	8	6	6.6	12.5	10.5	6	7.4	12.5	10.5	6	8.2	12.5	11	6	9	12.5	11.5
1"	600	4	6.1	12.5	8	6	6.9	12.5	10.5	6	7.7	12.5	11	6	8.5	12.5	11.5	6	9.2	12.5	11.5
1-1/2"	870	4	6.7	12.5	8.5	6	7.5	12.5	11	6	8.2	12.5	11.5	6	9	12.5	12	6	9.8	12.5	12.5
2"	1090	4	7.1	12.5	9	6	7.9	12.5	11.5	6	8.7	12.5	12	6	9.5	12.5	12.5	6	10.3	12.5	13
2-1/2"	1310	4	7.6	12.5	9.5	6	8.4	12.5	12	6	9.2	12.5	12.5	6	10	12.5	13	6	10.8	12.5	13.5
3"	1600	4	8.3	12.5	10.5	6	9.1	12.5	12.5	6	9.8	12.5	13	6	10.6	12.5	13.5	6	11.4	13.5	14
4"	2500	4	9.3	12.5	11.5	6	10.1	12.5	13.5	6	10.8	12.5	14	6	11.6	13.5	14.5	6	12.4	14.5	15
6"	3800	4	11.4	14	13.5	6	12.2	14.5	16	6	13	15.5	16.5	6	13.8	16	16.5	6	14.5	17	17
8"	5100	6	13.4	16	17.5	6	14.2	16.5	18	6	15	17.5	18.5	6	15.8	18	18.5	8	16.5	19	21
10"	6000	6	15.5	18	19.5	6	16.3	18.5	20	6	17.1	19.5	20.5	6	17.9	20.5	21	8	18.7	21	23
12"	6600	6	17.5	20	21.5	6	18.3	20.5	22	6	19.1	21.5	22.5	6	19.9	22.5	23	8	20.7	23	25
14"	7500	6	18.8	21	23	6	19.6	22	23.5	6	20.3	22.5	23.5	6	21.1	23.5	24	8	21.9	24.5	26.5
16"	8700	6	20.8	23	25	6	21.6	24	25.5	6	22.3	24.5	26	8	23.1	25.5	28	8	23.9	26.5	28.5
18"	9600	6	22.8	25.5	27	6	23.6	26.5	27.5	6	24.3	27	28	8	25.1	28	30	8	25.9	29	30.5
20"	10200	6	24.8	27.5	29	6	25.6	28.5	29.5	6	26.3	29	30	8	27.1	30	32	8	27.9	31	32.5
24"	10800	6	28.8	31.5	33	6	29.6	32.5	33.5	6	30.3	33	34	8	31.1	34	36.5	8	31.9	35	36.5
30"	14100	6	34.8	37.5	39	6	35.6	38.5	39.5	8	36.3	39	42	8	37.1	40	42.5	8	37.9	41	42.5
36"	20420	6	40.8	43.5	45	6	41.6	44.5	45.5	8	42.3	45	48	8	43.1	46	48.5	8	43.9	47	48.5
42"	31000	6	46.8	50	51	6	47.6	51	51.5	8	48.3	51.5	54	8	49.1	52.5	54.5	8	49.9	53	54.5
48"	34600	6	52.8	56	57	6	53.6	57	57.5	8	54.3	57.5	60	8	55.1	58.5	60.5	8	55.9	59	60.5
56"	40400	6	60.8	64	65	6	61.6	65	65.5	8	62.3	65.5	68	8	63.1	66.5	68.5	8	63.9	67	68.5
60"	43300	6	64.8	68	69	6	65.6	69	69.5	8	66.3	69.5	72	8	67.1	70.5	72.5	8	67.9	71	72.5
66"	47600	6	70.8	74	74	6	71.6	75	74.5	8	72.3	75.5	77	8	73.1	76.5	77.5	8	73.9	77	77.5
72"	52000	6	76.8	80	81	6	77.6	81	81.5	8	78.3	81.5	84	8	79.1	82.5	84.5	8	79.9	83	84.5

\*W - Dimension is calculated by multiplying (INSULATION OD\*0.55), when base is not a WT member.

**Applications & Features:**

- Temperature range to -460 Deg F to 195 Deg F
- Higher temperature applications available
- Teflon®/2B SS 304 slide plates on shoe and supporting steel on sizes 26" and larger
- Design loads based on a safety factor of 5
- A36 steel construction
- See technical specification RCS-750
- Test results available upon request
- Steel finish available in galvanized finish or painted
- Increased loading capability available. Contact Rilco for additional information
- Support constructed in accordance with ASME B31.1, B31.3 and MSS-SP58
- A307 or A193 B7 plated bolts/studs

\*\*For special applications or for information on other insulation thicknesses or pipe sizes, please contact us!\*\*

**Ordering Instructions:**

To Order, Please Specify:

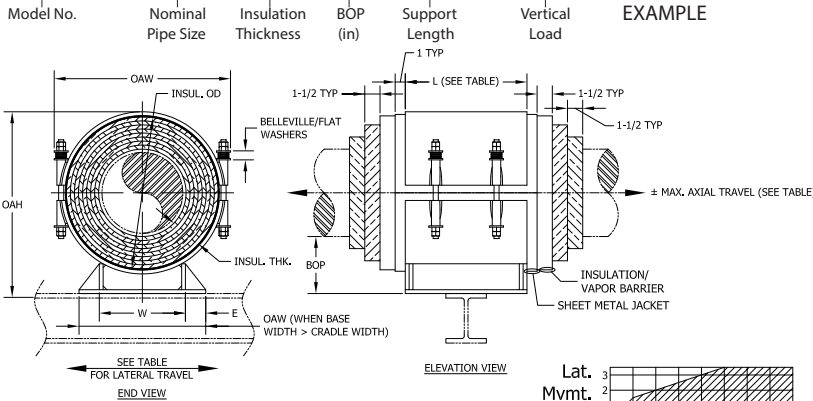
- Model Number
- Nominal Pipe Size
- Insulation Thickness
- BOP
- Support Length
- Vertical Load
- Movements

\* See last page of this document for new designation model number construction.

\*\* Information presented on this page subject to change without notice.

CS(H)CW - 8 x 30 - 4 - 12 - 5100

DESIGNATION EXAMPLE



L (in)*	Max. Axial Travel (in)	
	Centered	Offset
6	1.5	3
12	4.5	9

\* L + 6" for pipe sizes > 42"

- NOTES:  
 1) Slide plates required for 26" NPS & up.  
 2) All dimensions in inches unless noted.

PIPE SIZE	VERT. LOAD (lbs)	INSULATION THICKNESS																			
		110mm				120mm				130mm				140mm				150mm			
		BOP (in)	INSUL. OD (in)	OAW (in)	OAH (in)	BOP (in)	INSUL. OD (in)	OAW (in)	OAH (in)	BOP (in)	INSUL. OD (in)	OAW (in)	OAH (in)	BOP (in)	INSUL. OD (in)	OAW (in)	OAH (in)	BOP (in)	INSUL. OD (in)	OAW (in)	OAH (in)
<b>Do you need special loads or dimensions for this design? Please contact us at (713) 466-4777 or sales@rilco.com!</b>																					
1/2"	350	8	9.6	12.5	13.5	8	10.3	12.5	14	8	11.1	13	14.5	8	11.9	14	15	10	12.7	14.5	20
3/4"	450	8	9.8	12.5	14	8	10.5	12.5	14	8	11.3	13	14.5	8	12.1	14	15	10	12.9	15	20
1"	600	8	10	12.5	14	8	10.8	12.5	14.5	8	11.6	13.5	15	8	12.4	14.5	15.5	10	13.2	15	20
1-1/2"	870	8	10.6	12.5	14.5	8	11.4	13.5	15	8	12.2	14	15.5	8	13	15	16	10	13.8	15.5	21
2"	1090	8	11.1	13	15	8	11.9	14	15.5	8	12.7	14.5	16	8	13.4	15.5	16.5	10	14.2	16	21
2-1/2"	1310	8	11.6	13.5	15.5	8	12.4	14.5	16	8	13.2	15	16.5	8	13.9	16	17	10	14.7	16.5	22
3"	1600	8	12.2	14	16.5	8	13	15	16.5	8	13.8	15.5	17	8	14.6	16.5	17.5	10	15.4	17.5	22.5
4"	2500	8	13.2	15	17.5	8	14	16	17.5	8	14.8	16.5	18	8	15.6	17.5	18.5	10	16.4	18.5	23.5
6"	3800	8	15.3	17.5	19.5	8	16.1	18.5	20	8	16.9	19.5	20.5	8	17.7	20	20.5	10	18.5	21	25.5
8"	5100	8	17.3	19.5	21.5	8	18.1	20.5	22	8	18.9	21.5	22.5	10	19.7	22	24.5	10	20.5	23	27.5
10"	6000	8	19.5	22	23.5	8	20.2	22.5	24	8	21	23.5	24.5	10	21.8	24	27	10	22.6	25	29.5
12"	6600	8	21.5	24	25.5	8	22.2	24.5	26	8	23	25.5	26.5	10	23.8	26	29	10	24.6	27	31.5
14"	7500	8	22.7	25	27	8	23.5	26	27	8	24.3	26.5	27.5	10	25.1	27.5	30	10	25.9	28.5	32.5
16"	8700	8	24.7	27	29	8	25.5	28	29.5	10	26.3	28.5	32	10	27.1	29.5	32	10	27.9	30.5	36.5
18"	9600	8	26.7	29.5	31	8	27.5	30.5	31.5	10	28.3	31	34	10	29.1	32	34	10	29.9	33	38.5
20"	10200	8	28.7	31.5	33	8	29.5	32.5	33.5	10	30.3	33	36	10	31.1	34	36	10	31.9	35	40.5
24"	10800	8	32.7	35.5	37	8	33.5	36.5	37.5	10	34.3	37	40	10	35.1	38	40.5	10	35.9	39	45
30"	14100	8	38.7	41.5	43	10	39.5	42.5	45.5	10	40.3	43	46	10	41.1	44	46.5	10	41.9	45	51
36"	20420	8	44.7	47.5	49	10	45.5	48.5	51.5	10	46.3	49	52	10	47.1	50	52.5	10	47.9	51	57
42"	31000	8	50.7	54	55	10	51.5	54.5	57.5	10	52.3	55.5	58	10	53.1	56.5	58.5	10	53.9	57	63
48"	34600	8	56.7	60	61	10	57.5	60.5	63.5	10	58.3	61.5	64	10	59.1	62.5	64.5	10	59.9	63	69
56"	40400	8	64.7	68	69	10	65.5	68.5	71.5	10	66.3	69.5	72	10	67.1	70.5	72.5	10	67.9	71	77
60"	43300	8	68.7	72	73	10	69.5	72.5	75.5	10	70.3	73.5	76	10	71.1	74.5	76.5	10	71.9	75	81
66"	47600	8	74.7	78	78	10	75.5	78.5	80.5	10	76.3	79.5	81	10	77.1	80.5	81.5	10	77.9	81	86
72"	52000	8	80.7	84	85	10	81.5	84.5	87.5	10	82.3	85.5	88	10	83.1	86.5	88.5	10	83.9	87	93

\*W - Dimension is calculated by multiplying (INSULATION OD\*0.55), when base is not a WT member.

**Applications & Features:**

- Temperature range to -460 Deg F to 195 Deg F
- Higher temperature applications available
- Teflon®/2B SS 304 slide plates on shoe and supporting steel on sizes 26" and larger
- Design loads based on a safety factor of 5
- A36 steel construction
- See technical specification RCS-750
- Test results available upon request
- Steel finish available in galvanized finish or painted
- Increased loading capability available. Contact Rilco for additional information
- Support constructed in accordance with ASME B31.1, B31.3 and MSS-SP58
- A307 or A193 B7 plated bolts/studs

\*\*For special applications or for information on other insulation thicknesses or pipe sizes, please contact us!\*\*

**Ordering Instructions:**

- To Order, Please Specify:
- Model Number
  - Nominal Pipe Size
  - Insulation Thickness
  - BOP
  - Support Length
  - Vertical Load
  - Movements

\* See last page of this document for new designation model number construction.

\*\* Information presented on this page subject to change without notice.