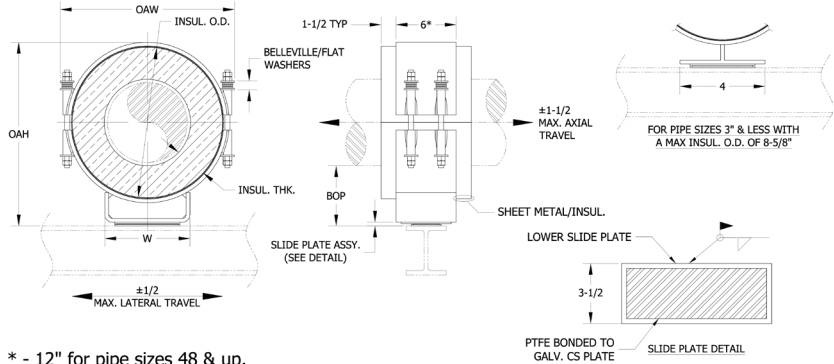
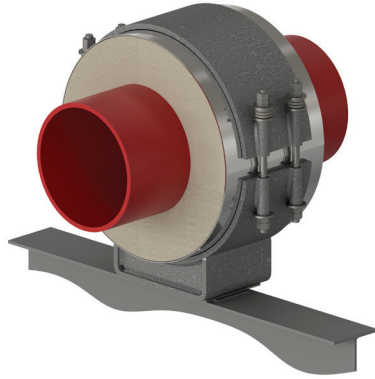


HSCS - 4 x 1.5 - 4 - 6 - 1680

NEW DESIGNATION
EXAMPLE

LEGACY DESIGNATION **HS-1100**

Model No. Nominal Pipe Size Insulation Thickness BOP (in) Support Length Vertical Load



* - 12" for pipe sizes 48 & up.
All dimensions in inches unless noted.

Do you need special loads or dimensions for this design? Please contact us at (713) 466-4777 or sales@rilco.com.

PIPE SIZE	VERT LOAD (Lbs)	INSULATION THICKNESS																			
		1"				1-1/2"				2"				2-1/2"				3"			
		BOP (in)	INSUL OD (in)	OAW (in)	OAH (in)	BOP (in)	INSUL OD (in)	OAW (in)	OAH (in)	BOP (in)	INSUL OD (in)	OAW (in)	OAH (in)	BOP (in)	INSUL OD (in)	OAW (in)	OAH (in)	BOP (in)	INSUL OD (in)	OAW (in)	OAH (in)
1/2"	280	4	2.875	4.5	6.5	4	4	6	7	4	5	7	7.5	4	6.625	8.5	8.5	6	7.625	9.5	11
3/4"	350	4	2.875	4.5	6.5	4	4	6	7	4	5	7	7.5	4	6.625	8.5	8.5	6	7.625	9.5	11
1"	450	4	3.5	5.5	7	4	4.5	6.5	7.5	4	5.563	7.5	8	4	6.625	8.5	8.5	6	7.625	9.5	11
1-1/2"	650	4	4	6	7.5	4	5	7	8	4	6.625	8.5	9	4	7.625	9.5	9.5	6	8.625	10.5	12
2"	750	4	4.5	6.5	8	4	5.563	7.5	8.5	4	6.625	8.5	9	4	7.625	9.5	9.5	6	8.625	10.5	12
2-1/2"	920	4	5	7	8.5	4	6.625	8.5	9.5	4	7.625	9.5	10	4	8.625	10.5	10.5	6	9.625	11.5	13
3"	1060	4	5.56	7.5	9	4	6.625	8.5	9.5	4	7.625	9.5	10	4	8.625	10.5	10.5	6	9.625	11.5	13
4"	1680	4	6.625	8.5	10	4	7.625	9.5	10.5	4	8.625	10.5	11	4	9.625	11.5	11.5	6	10.75	12.5	14
6"	2550	4	8.625	11	12	4	9.625	12	12.5	4	10.75	13	13.5	4	11.75	14	14	6	12.75	15	16.5
8"	3400	4	10.75	13	14.5	4	11.75	14	15	4	12.75	15	15.5	6	14	16.5	18	6	15	17.5	18.5
10"	4000	4	12.75	15	16.5	4	14	16.5	17	4	15	17.5	17.5	6	16	18.5	20	6	17	19.5	20.5
12"	4400	4	15	17.5	18.5	4	16	18.5	19	4	17	19.5	19.5	6	18	20.5	22	6	19	21.5	22.5
14"	5000	4	16	18.5	19.5	4	17	19.5	20	4	18	20.5	20.5	6	19	21.5	23	6	20	22.5	23.5
16"	5800	4	18	20.5	21.5	4	19	21.5	22	6	20	22.5	24.5	6	21	23.5	25	6	22	24.5	25.5
18"	6400	4	20	23	23.5	4	21	24	24	6	22	25	26.5	6	23	26	27	6	24	27	27.5
20"	6800	4	22	25	25.5	4	23	26	26	6	24	27	28.5	6	25	28	29	6	26	29	29.5
24"	7200	4	26	29	30	4	27	30	30.5	6	28	31	33	6	29	32	33.5	6	30	33	34
30"	9400	4	32	35	36	6	33	36	38.5	6	34	37	39	6	35	38	39.5	6	36	39	40
36"	11000	4	38	41	42	6	39	42	44.5	6	40	43	45	6	41	44	45.5	6	42	45	46
42"	12400	4	44	47	48	6	45	48	50.5	6	46	49	51	6	47	50	51.5	6	48	51	52
48"	14200	4	50	53	54	6	51	54	56.5	6	52	55	57	6	53	56	57.5	6	54	57	58
56"	16600	4	58	61	62	6	59	62	64.5	6	60	63	65	6	61	64	65.5	6	62	65	66
60"	17800	4	62	65	66	6	63	66	68.5	6	64	67	69	6	65	68	69.5	6	66	69	70
66"	19500	4	68	71	71	6	69	72	73.5	6	70	73	74	6	71	74	74.5	6	72	75	75
72"	21300	4	74	77	78	6	75	78	80.5	6	76	79	81	6	77	80	81.5	6	78	81	82

*W-Dimension is calculated by multiplying (INSULATION OD*0.55), when base is not a WT member.

Applications & Features:

- Accommodates axial travel up to 3" if shoe is offset from supporting steel
- Temperature range to 1200 Deg F
- Higher temperature applications available
- Teflon® slide plates on shoe and supporting steel
- Design loads based on a safety factor of 5
- A36 Steel construction
- See technical specification RHS-850
- Test results available upon request
- Steel finish available in galvanized or painted finishes
- Support features calcium silicate insulation with high density calcium silicate structural inserts
- Support constructed in accordance with ASME B31.1, B31.3 and MSS-SP58
- Water-resistant calcium silicate
- A307 or A193 B7 Plated bolts/studs
- For special applications or for information on other insulation thicknesses or pipe sizes, please contact us.

Ordering Instructions:

- To Order, Please Specify:
- Model Number
 - Nominal Pipe Size
 - Insulation Thickness
 - BOP
 - Support Length
 - Vertical Load
 - Lateral & Axial Movements

* See last page of this document for new designation model number construction

** Information presented on this page subject to change without notice.

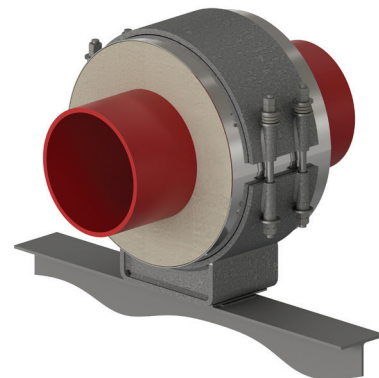
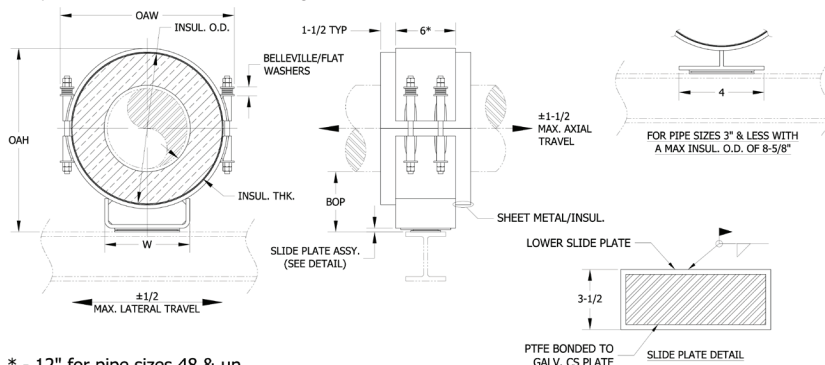


HSCS - 4 x 1.5 - 4 - 6 - 1680

NEW DESIGNATION
EXAMPLE

LEGACY DESIGNATION **HS-1100**

Model No. Nominal Pipe Size Insulation Thickness BOP (in) Support Length Vertical Load



* - 12" for pipe sizes 48 & up.
All dimensions in inches unless noted.

Do you need special loads or dimensions for this design? Please contact us at (713) 466-4777 or sales@rilco.com.

PIPE SIZE	VERT LOAD (Lbs)	INSULATION THICKNESS																			
		3-1/2"				4"				4-1/2"				5"				5-1/2"			
		BOP (in)	INSUL OD (in)	OAW (in)	OAH (in)	BOP (in)	INSUL OD (in)	OAW (in)	OAH (in)	BOP (in)	INSUL OD (in)	OAW (in)	OAH (in)	BOP (in)	INSUL OD (in)	OAW (in)	OAH (in)	BOP (in)	INSUL OD (in)	OAW (in)	OAH (in)
1/2"	280	6	8.625	10.5	11.5	6	9.625	11.5	12	6	10.75	12.5	12.5	8	11.75	13.5	15	8	12.75	14.5	15.5
3/4"	350	6	8.625	10.5	11.5	6	9.625	11.5	12	6	10.75	12.5	12.5	8	11.75	13.5	15	8	12.75	14.5	15.5
1"	450	6	8.625	10.5	11.5	6	9.625	11.5	12	6	10.75	12.5	12.5	8	11.75	13.5	15	8	12.75	14.5	15.5
1-1/2"	650	6	9.625	11.5	12.5	6	10.75	12.5	13	6	11.75	13.5	13.5	8	12.75	14.5	16	8	14	16	16.5
2"	750	6	9.625	11.5	12.5	6	10.75	12.5	13	6	11.75	13.5	13.5	8	12.75	14.5	16	8	14	16	16.5
2-1/2"	920	6	10.75	12.5	13.5	6	11.75	13.5	14	6	12.75	14.5	14.5	8	14	16	17	8	15	17	17.5
3"	1060	6	10.75	12.5	13.5	6	11.75	13.5	14	6	12.75	14.5	14.5	8	14	16	17.5	8	15	17	18
4"	1680	6	11.75	13.5	14.5	6	12.75	14.5	15	6	14	16	16	8	15	17	18.5	8	16	18	19
6"	2550	6	14	16.5	17	6	15	17.5	17.5	6	16	18.5	18	8	17	19.5	20.5	8	18	20.5	21
8"	3400	6	16	18.5	19	6	17	19.5	19.5	8	18	20.5	22	8	19	21.5	22.5	8	20	22.5	23
10"	4000	6	18	20.5	21	6	19	21.5	21.5	8	20	22.5	24	8	21	23.5	24.5	8	22	24.5	25
12"	4400	6	20	22.5	23	6	21	23.5	23.5	8	22	24.5	26	8	23	25.5	26.5	8	24	26.5	27
14"	5000	6	21	23.5	24	6	22	24.5	24.5	8	23	25.5	27	8	24	26.5	27.5	8	25	27.5	28
16"	5800	6	23	25.5	26	8	24	26.5	28.5	8	25	27.5	29	8	26	28.5	29.5	8	27	29.5	30
18"	6400	6	25	28	28	8	26	29	30.5	8	27	30	31	8	28	31	31.5	8	29	32	32
20"	6800	6	27	30	30	8	28	31	32.5	8	29	32	33	8	30	33	33.5	8	31	34	34
24"	7200	6	31	34	34.5	8	32	35	37	8	33	36	37.5	8	34	37	38	8	35	38	38.5
30"	9400	8	37	40	42.5	8	38	41	43	8	39	42	43.5	8	40	43	44	10	41	44	46.5
36"	11000	8	43	46	48.5	8	44	47	49	8	45	48	49.5	8	46	49	50	10	47	50	52.5
42"	12400	8	49	52	54.5	8	50	53	55	8	51	54	55.5	8	52	55	56	10	53	56	58.5
48"	14200	8	55	58	60.5	8	56	59	61	8	57	60	61.5	8	58	61	62	10	59	62	64.5
56"	16600	8	63	66	68.5	8	64	67	69	8	65	68	69.5	8	66	69	70	10	67	70	72.5
60"	17800	8	67	70	72.5	8	68	71	73	8	69	72	73.5	8	70	73	74	10	71	74	76.5
66"	19500	8	73	76	77.5	8	74	77	78	8	75	78	78.5	8	76	79	79	10	77	80	81.5
72"	21300	8	79	82	84.5	8	80	83	85	8	81	84	85.5	8	82	85	86	10	83	86	88.5

*W-Dimension is calculated by multiplying (INSULATION OD*0.55), when base is not a WT member.

Applications & Features:

- Accommodates axial travel up to 3" if shoe is offset from supporting steel
- Temperature range to 1200 Deg F
- Higher temperature applications available
- Teflon® slide plates on shoe and supporting steel
- Design loads based on a safety factor of 5
- A36 Steel construction
- See technical specification RHS-850
- Test results available upon request
- Steel finish available in galvanized or painted finishes
- Support features calcium silicate insulation with high density calcium silicate structural inserts
- Support constructed in accordance with ASME B31.1, B31.3 and MSS-SP58
- Water-resistant calcium silicate
- A307 or A193 B7 Plated bolts/studs
- For special applications or for information on other insulation thicknesses or pipe sizes, please contact us.

Ordering Instructions:

To Order, Please Specify:

- Model Number
- Nominal Pipe Size
- Insulation Thickness
- BOP
- Support Length
- Vertical Load
- Lateral & Axial Movements

* See last page of this document for new designation model number construction

** Information presented on this page subject to change without notice.



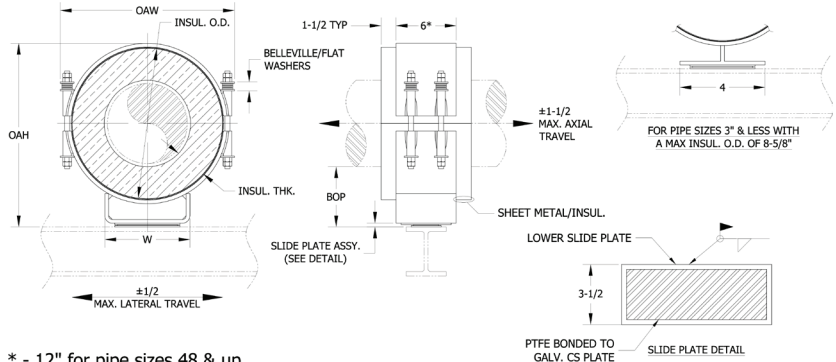
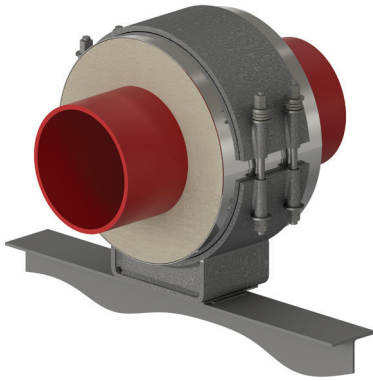
www.rilco.com

HSCS - 4 x 1.5 - 4 - 6 - 1680

NEW DESIGNATION
EXAMPLE

LEGACY DESIGNATION **HS-1100**

Model No. Nominal Pipe Size Insulation Thickness BOP (in) Support Length Vertical Load



* - 12" for pipe sizes 48 & up.
All dimensions in inches unless noted.

Do you need special loads or dimensions for this design? Please contact us at (713) 466-4777 or sales@rilco.com.

PIPE SIZE	VERT LOAD (Lbs)	INSULATION THICKNESS																			
		6"				6-1/2"				7"				7-1/2"				8"			
		BOP (in)	INSUL OD (in)	OAW (in)	OAH (in)	BOP (in)	INSUL OD (in)	OAW (in)	OAH (in)	BOP (in)	INSUL OD (in)	OAW (in)	OAH (in)	BOP (in)	INSUL OD (in)	OAW (in)	OAH (in)	BOP (in)	INSUL OD (in)	OAW (in)	OAH (in)
1/2"	280	8	14	16	16	8	15	17	16.5	10	16	18	19	10	17	19	19.5	10	18	20	20
3/4"	350	8	14	16	16	8	15	17	16.5	10	16	18	19	10	17	19	19.5	10	18	20	20
1"	450	8	14	16	16	8	15	17	16.5	10	16	18	19	10	17	19	19.5	10	18	20	20
1-1/2"	650	8	15	17	17	8	16	18	17.5	10	17	19	20	10	18	20	20.5	10	19	21	21
2"	750	8	15	17	17	8	16	18	17.5	10	17	19	20	10	18	20	20.5	10	19	21	21
2-1/2"	920	8	16	18	18	8	17	19	18.5	10	18	20	21	10	19	21	21.5	10	20	22	22
3"	1060	8	16	18	18.5	8	17	19	19	10	18	20	21.5	10	19	21	22	10	20	22	22.5
4"	1680	8	17	19	19.5	8	18	20	20	10	19	21	22.5	10	20	22	23	10	21	23	23.5
6"	2550	8	19	21.5	21.5	8	20	22.5	22	10	21	23.5	24.5	10	22	24.5	25	10	23	25.5	25.5
8"	3400	8	21	23.5	23.5	10	22	24.5	26	10	23	25.5	26.5	10	24	26.5	27	10	25	27.5	27.5
10"	4000	8	23	25.5	25.5	10	24	26.5	28	10	25	27.5	28.5	10	26	28.5	29	10	27	29.5	29.5
12"	4400	8	25	27.5	27.5	10	26	28.5	30	10	27	29.5	30.5	10	28	30.5	31	10	29	31.5	31.5
14"	5000	8	26	28.5	28.5	10	27	29.5	31	10	28	30.5	31.5	10	29	31.5	32	10	30	32.5	32.5
16"	5800	10	28	30.5	32.5	10	29	31.5	33	10	30	32.5	33.5	10	31	33.5	34	12	32	34.5	36.5
18"	6400	10	30	33	34.5	10	31	34	35	10	32	35	35.5	10	33	36	36	12	34	37	38.5
20"	6800	10	32	35	36.5	10	33	36	37	10	34	37	37.5	10	35	38	38	12	36	39	40.5
24"	7200	10	36	39	41	10	37	40	41.5	10	38	41	42	10	39	42	42.5	12	40	43	45
30"	9400	10	42	45	47	10	43	46	47.5	10	44	47	48	12	45	48	50.5	12	46	49	51
36"	11000	10	48	51	53	10	49	52	53.5	10	50	53	54	12	51	54	56.5	12	52	55	57
42"	12400	10	54	57	59	10	55	58	59.5	10	56	59	60	12	57	60	62.5	12	58	61	63
48"	14200	10	60	63	65	10	61	64	65.5	10	62	65	66	12	63	66	68.5	12	64	67	69
56"	16600	10	68	71	73	10	69	72	73.5	10	70	73	74	12	71	74	76.5	12	72	75	77
60"	17800	10	72	75	77	10	73	76	77.5	10	74	77	78	12	75	78	80.5	12	76	79	81
66"	19500	10	78	81	82	10	79	82	82.5	10	80	83	83	12	81	84	85.5	12	82	85	86
72"	21300	10	84	87	89	10	85	88	89.5	10	86	89	90	12	87	90	92.5	12	88	91	93

*W-Dimension is calculated by multiplying (INSULATION OD*0.55), when base is not a WT member.

Applications & Features:

- Accommodates axial travel up to 3" if shoe is offset from supporting steel
- Temperature range to 1200 Deg F
- Higher temperature applications available
- Teflon® slide plates on shoe and supporting steel
- Design loads based on a safety factor of 5
- A36 Steel construction
- See technical specification RHS-850
- Test results available upon request
- Steel finish available in galvanized or painted finishes
- Support features calcium silicate insulation with high density calcium silicate structural inserts
- Support constructed in accordance with ASME B31.1, B31.3 and MSS-SP58
- Water-resistant calcium silicate
- A307 or A193 B7 Plated bolts/studs
- For special applications or for information on other insulation thicknesses or pipe sizes, please contact us.

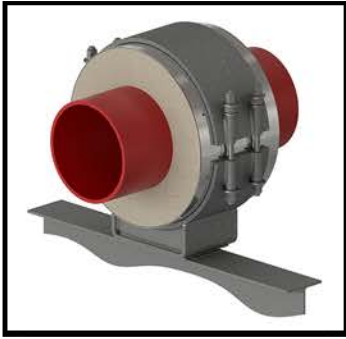
Ordering Instructions:

- To Order, Please Specify:
- Model Number
 - Nominal Pipe Size
 - Insulation Thickness
 - BOP
 - Support Length
 - Vertical Load
 - Lateral & Axial Movements

* See last page of this document for new designation model number construction

** Information presented on this page subject to change without notice.





HSCS - 6x3-4-18-3500-1200-2000

TEMPERATURE CLASSIFICATION

HOT (H) - (typical range 0°F to 1200°F)

COLD (C) - (typical range -450°F to 200°F)

DUAL TEMP (D) - (typical range -450°F to 1200°F)

FUNCTION

SLIDE (S) (for vertically restrained pipe)
i.e. HSCS-3x1.5-4-12-2100

- **SLIDE** (H) (for vertically restrained pipe, high lateral travel)
i.e. HS(H)CS-1x1.5-4-6-225-80

GUIDE (G) (for vertically and laterally restrained pipe)
i.e. HGCS-6x1.5-4-6-1275-450

- **GUIDE** (L) (for vertically and laterally restrained pipe, allows uplift of piping)
i.e. HG(L)CS-1x1.5-4-6-225-80

- **GUIDE** (M) (for vertically and laterally restrained pipe, guided at cradle)
i.e. HG(M)CS-1x1.5-4-6-225-80

ANCHOR (A) (for vertically, laterally and axially restrained pipe)
i.e. HACS-4x1.5-4-6-840-295-1730

HANGING (H) (for vertically restrained pipe)
i.e. HHCS-3x1.5-4-12-2100

RISER (V) (for vertically restrained pipe)
i.e. HVCS-3x1.5-4-12-2100

FLAT (F) (for vertically restrained pipe)
i.e. HFCS-3x1.5-4-12-2100

ROLLER (R) (for vertically restrained pipe)
i.e. HRCS-3x1.5-4-12-2100

INSULATION TYPE

Calcium Silicate (CS)

PyroWrap (PW) (Aspen Aerogels Pyrogel® XT-E)

Polyurethane Foam (PF)

FOAMGLAS® (FG)

CryoWrap (CW) (Aspen Aerogels Cryogel® Z)

