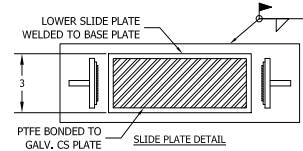
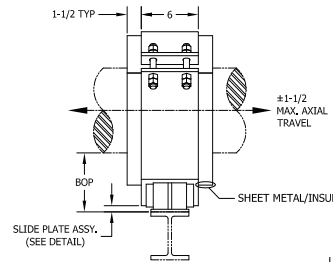
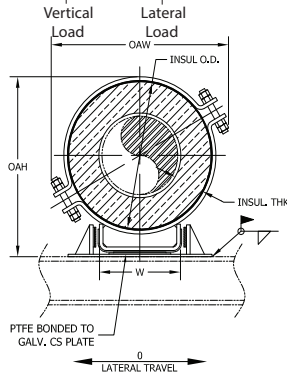
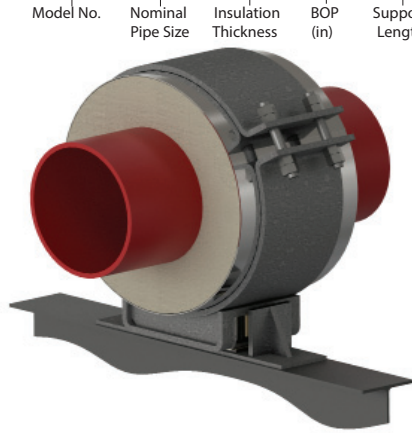


# HG(L)CS - 3 x 1.5 - 4 - 6 - 1060 - 375

NEW DESIGNATION  
EXAMPLE

LEGACY DESIGNATION **HG-7100**



All dimensions in inches unless noted.

Do you need special loads or dimensions for this design? Please contact us at (713) 466-4777 or sales@rilco.com.

PIPE SIZE	VERT LOAD (Lbs)	LAT LOAD (Lbs)	INSULATION THICKNESS																			
			1"				1-1/2"				2"				2-1/2"				3"			
			BOP (in)	INSUL OD (in)	OAW (in)	OAH (in)	BOP (in)	INSUL OD (in)	OAW (in)	OAH (in)	BOP (in)	INSUL OD (in)	OAW (in)	OAH (in)	BOP (in)	INSUL OD (in)	OAW (in)	OAH (in)	BOP (in)	INSUL OD (in)	OAW (in)	OAH (in)
1/2"	280	140					4	4	7	7	4	5	8	7.5	4	6.625	9	8.5	6	7.625	10	11
3/4"	350	175					4	4	7	7	4	5	8	7.5	4	6.625	9	8.5	6	7.625	10	11
1"	450	225					4	4.5	7.5	7.5	4	5.563	8	8	4	6.625	9	8.5	6	7.625	10	11
1-1/2"	650	325	4	4	7	7.5	4	5	8	8	4	6.625	9	9	4	7.625	10	9.5	6	8.625	11	12
2"	750	375	4	4.5	7.5	8	4	5.563	8	8.5	4	6.625	9	9	4	7.625	10	9.5	6	8.625	11	12
2-1/2"	920	460	4	5	8	8.5	4	6.625	9	9.5	4	7.625	10	10	4	8.625	11	10.5	6	9.625	12	13
3"	1060	530	4	5.56	8	9	4	6.625	9	9.5	4	7.625	10	10	4	8.625	11	10.5	6	9.625	12	13
4"	1680	840	4	6.625	9	10	4	7.625	10	10.5	4	8.625	11	11	4	9.625	12	11.5	6	10.75	12.5	14
6"	2550	1275	4	8.625	12	12	4	9.625	12.5	12.5	4	10.75	13.5	13.5	4	11.75	14.5	14	6	12.75	15.5	16.5
8"	3400	1700	4	10.75	13.5	14.5	4	11.75	14.5	15	4	12.75	15.5	15.5	6	14	16.5	18	6	15	17.5	18.5
10"	4000	2000	4	12.75	16.5	16.5	4	14	17.5	17	4	15	18	17.5	6	16	18.5	20	6	17	19.5	20.5
12"	4400	2200	4	15	18	18.5	4	16	18.5	19	4	17	19.5	19.5	6	18	20	22	6	19	20.5	22.5
14"	5000	2500	4	16	18.5	19.5	4	17	19.5	20	4	18	20	20.5	6	19	20.5	23	6	20	21.5	23.5
16"	5800	2900	4	18	20	21.5	4	19	21	22	6	20	22	24.5	6	21	23	25	6	22	23.5	25.5
18"	6400	3200	4	20	22	23.5	4	21	23	24	6	22	23.5	26.5	6	23	24.5	27	6	24	25.5	27.5
20"	6800	3400	4	22	23.5	25.5	4	23	24.5	26	6	24	25.5	28.5	6	25	26.5	29	6	26	27	29.5
24"	7200	3600	4	26	29.5	30	4	27	30.5	30.5	6	28	31	33	6	29	32	33.5	6	30	33	34
30"	9400	4700	4	32	34.5	36	6	33	35.5	38.5	6	34	36.5	39	6	35	37.5	39.5	6	36	38	40
36"	11000	5500	4	38	40	42	6	39	40.5	44.5	6	40	41.5	45	6	41	42.5	45.5	6	42	43.5	46
42"	12400	6200	4	44	45.5	48	6	45	46.5	50.5	6	46	47.5	51	6	47	48.5	51.5	6	48	49.5	52
48"	14200	7100	4	50	51.5	54	6	51	52.5	56.5	6	52	53.5	57	6	53	54.5	57.5	6	54	55.5	58
56"	16600	8300	4	58	59.5	62	6	59	60.5	64.5	6	60	61.5	65	6	61	62.5	65.5	6	62	63.5	66
60"	17800	8900	4	62	63.5	66	6	63	64.5	68.5	6	64	65.5	69	6	65	66.5	69.5	6	66	67.5	70
66"	19500	9750	4	68	69.5	71	6	69	70.5	73.5	6	70	71.5	74	6	71	72.5	74.5	6	72	73.5	75
72"	21300	10650	4	74	75.5	78	6	75	76.5	80.5	6	76	77.5	81	6	77	78.5	81.5	6	78	79.5	82

\*W-Dimension is calculated by multiplying (INSULATION OD\*0.65), used only for supports pipe size 6" and larger

### Applications & Features:

- Accommodates axial travel up to 3" if shoe is offset from supporting steel
- Temperature range to 1200 Deg F
- Higher temperature applications available
- Teflon®/2B SS 304 slide plates on shoe and supporting steel
- Design loads based on a safety factor of 5
- A36 Steel construction
- See technical specification RHS-850
- Test results available upon request
- Steel finish available in galvanized or painted finishes
- Support features calcium silicate insulation with high density calcium silicate structural inserts
- Support constructed in accordance with ASME B31.1, B31.3 and MSS-SP58
- Water-resistant calcium silicate
- A307 or A193 B7 Plated bolts/studs
- For special applications or for information on other insulation thicknesses or pipe sizes, please contact us.

### Ordering Instructions:

To Order, Please Specify:

- Model Number
- Nominal Pipe Size
- Insulation Thickness
- BOP
- Support Length
- Vertical Load
- Lateral & Axial Movements

\* See last page of this document for new designation model number construction

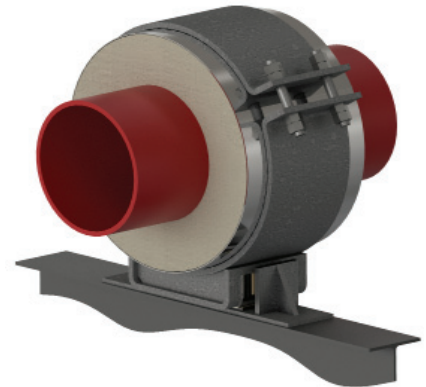
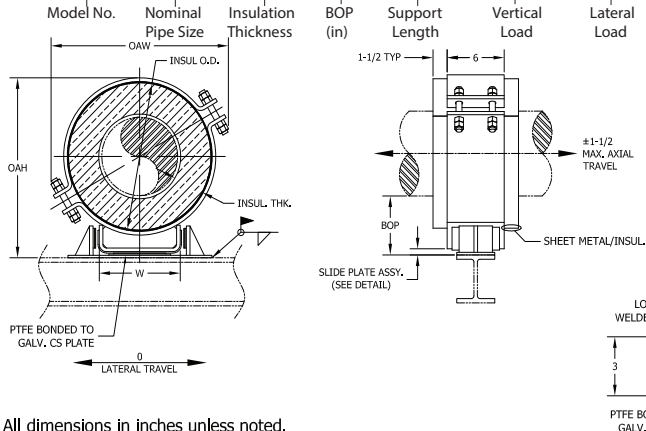
\*\* Information presented on this page subject to change without notice.



# HG(L)CS - 3 x 1.5 - 4 - 6 - 1060 - 375

NEW DESIGNATION  
EXAMPLE

LEGACY DESIGNATION HG-7100



All dimensions in inches unless noted.

**Do you need special loads or dimensions for this design? Please contact us at (713) 466-4777 or sales@rilco.com.**

PIPE SIZE	VERT LOAD (lbs)	LAT LOAD (lbs)	INSULATION THICKNESS																			
			3-1/2"				4"				4-1/2"				5"				5-1/2"			
			BOP (in)	INSUL OD (in)	OAW (in)	OAH (in)	BOP (in)	INSUL OD (in)	OAW (in)	OAH (in)	BOP (in)	INSUL OD (in)	OAW (in)	OAH (in)	BOP (in)	INSUL OD (in)	OAW (in)	OAH (in)	BOP (in)	INSUL OD (in)	OAW (in)	OAH (in)
1/2"	280	140	6	8.625	11	11.5	6	9.625	12	12	6	10.75	12.5	12.5	8	11.75	13.5	15	8	12.75	14.5	15.5
3/4"	350	175	6	8.625	11	11.5	6	9.625	12	12	6	10.75	12.5	12.5	8	11.75	13.5	15	8	12.75	14.5	15.5
1"	450	225	6	8.625	11	11.5	6	9.625	12	12	6	10.75	12.5	12.5	8	11.75	13.5	15	8	12.75	14.5	15.5
1-1/2"	650	325	6	9.625	12	12.5	6	10.75	12.5	13	6	11.75	13.5	13.5	8	12.75	14.5	16	8	14	15.5	16.5
2"	750	375	6	9.625	12	12.5	6	10.75	12.5	13	6	11.75	13.5	13.5	8	12.75	14.5	16	8	14	15.5	16.5
2-1/2"	920	460	6	10.75	12.5	13.5	6	11.75	13.5	14	6	12.75	14.5	14.5	8	14	15.5	17	8	15	16.5	17.5
3"	1060	530	6	10.75	12.5	13.5	6	11.75	13.5	14	6	12.75	14.5	14.5	8	14	15.5	17.5	8	15	16.5	18
4"	1680	840	6	11.75	13.5	14.5	6	12.75	14.5	15	6	14	15.5	16	8	15	16.5	18.5	8	16	17.5	19
6"	2550	1275	6	14	16.5	17	6	15	17.5	17.5	6	16	18	18	8	17	19	20.5	8	18	20	21
8"	3400	1700	6	16	18	19	6	17	19	19.5	8	18	20	22	8	19	20.5	22.5	8	20	21.5	23
10"	4000	2000	6	18	20	21	6	19	20.5	21.5	8	20	21.5	24	8	21	22.5	24.5	8	22	23.5	25
12"	4400	2200	6	20	21.5	23	6	21	22.5	23.5	8	22	23.5	26	8	23	24	26.5	8	24	25	27
14"	5000	2500	6	21	22.5	24	6	22	23.5	24.5	8	23	24	27	8	24	25	27.5	8	25	26	28
16"	5800	2900	6	23	24.5	26	8	24	25.5	28.5	8	25	26.5	29	8	26	27	29.5	8	27	28	30
18"	6400	3200	6	25	26.5	28	8	26	27	30.5	8	27	28	31	8	28	29	31.5	8	29	30	32
20"	6800	3400	6	27	28	30	8	28	29	32.5	8	29	30	33	8	30	31	33.5	8	31	32	34
24"	7200	3600	6	31	34	34.5	8	32	34.5	37	8	33	35.5	37.5	8	34	36.5	38	8	35	37.5	38.5
30"	9400	4700	8	37	39	42.5	8	38	40	43	8	39	40.5	43.5	8	40	41.5	44	10	41	42.5	46.5
36"	11000	5500	8	43	44.5	48.5	8	44	45.5	49	8	45	46.5	49.5	8	46	47.5	50	10	47	48.5	52.5
42"	12400	6200	8	49	50.5	54.5	8	50	51.5	55	8	51	52.5	55.5	8	52	53.5	56	10	53	54.5	58.5
48"	14200	7100	8	55	56.5	60.5	8	56	57.5	61	8	57	58.5	61.5	8	58	59.5	62	10	59	60.5	64.5
56"	16600	8300	8	63	64.5	68.5	8	64	65.5	69	8	65	66.5	69.5	8	66	67.5	70	10	67	68.5	72.5
60"	17800	8900	8	67	68.5	72.5	8	68	69.5	73	8	69	70.5	73.5	8	70	71.5	74	10	71	72.5	76.5
66"	19500	9750	8	73	74.5	77.5	8	74	75.5	78	8	75	76.5	78.5	8	76	77.5	79	10	77	78.5	81.5
72"	21300	10650	8	79	80.5	84.5	8	80	81.5	85	8	81	82.5	85.5	8	82	83.5	86	10	83	84.5	88.5

\*W-Dimension is calculated by multiplying (INSULATION OD\*0.65), used only for supports pipe size 6" and larger

## Applications & Features:

- Accommodates axial travel up to 3" if shoe is offset from supporting steel
- Temperature range to 1200 Deg F
- Higher temperature applications available
- Teflon®/2B SS 304 slide plates on shoe and supporting steel
- Design loads based on a safety factor of 5
- A36 Steel construction
- See technical specification RHS-850
- Test results available upon request
- Steel finish available in galvanized or painted finishes
- Support features calcium silicate insulation with high density calcium silicate structural inserts
- Support constructed in accordance with ASME B31.1, B31.3 and MSS-SP58
- Water-resistant calcium silicate
- A307 or A193 B7 Plated bolts/studs
- For special applications or for information on other insulation thicknesses or pipe sizes, please contact us.

## Ordering Instructions:

To Order, Please Specify:

- Model Number
- Nominal Pipe Size
- Insulation Thickness
- BOP
- Support Length
- Vertical Load
- Lateral & Axial Movements

\* See last page of this document for new designation model number construction

\*\* Information presented on this page subject to change without notice.

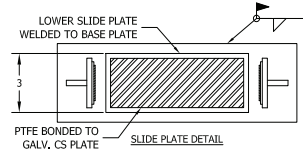
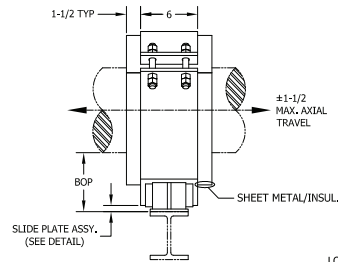
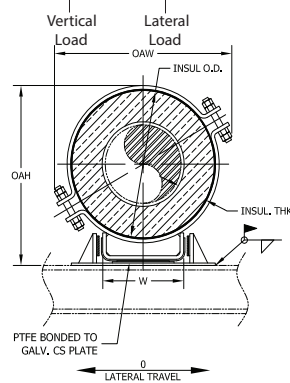
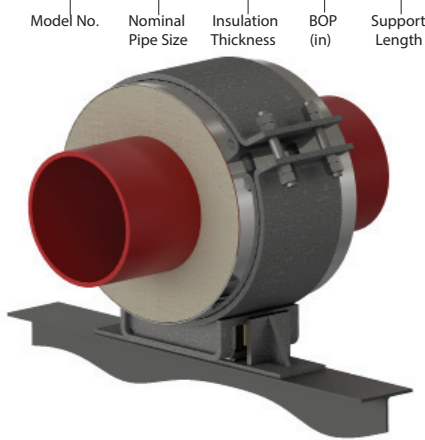


www.rilco.com

# HG(L)CS - 3 x 1.5 - 4 - 6 - 1060 - 375

NEW DESIGNATION  
EXAMPLE

LEGACY DESIGNATION **HG-7100**



All dimensions in inches unless noted.

Do you need special loads or dimensions for this design? Please contact us at (713) 466-4777 or sales@rilco.com.

PIPE SIZE	VERT LOAD (Lbs)	LAT LOAD (Lbs)	INSULATION THICKNESS																			
			6"				6-1/2"				7"				7-1/2"				8"			
			BOP (in)	INSUL OD (in)	OAW (in)	OAH (in)	BOP (in)	INSUL OD (in)	OAW (in)	OAH (in)	BOP (in)	INSUL OD (in)	OAW (in)	OAH (in)	BOP (in)	INSUL OD (in)	OAW (in)	OAH (in)	BOP (in)	INSUL OD (in)	OAW (in)	OAH (in)
1/2"	280	140	8	14	15.5	16	8	15	16.5	16.5	10	16	17.5	19	10	17	18	19.5	10	18	19	20
3/4"	350	175	8	14	15.5	16	8	15	16.5	16.5	10	16	17.5	19	10	17	18	19.5	10	18	19	20
1"	450	225	8	14	15.5	16	8	15	16.5	16.5	10	16	17.5	19	10	17	18	19.5	10	18	19	20
1-1/2"	650	325	8	15	16.5	17	8	16	17.5	17.5	10	17	18	20	10	18	19	20.5	10	19	20	21
2"	750	375	8	15	16.5	17	8	16	17.5	17.5	10	17	18	20	10	18	19	20.5	10	19	20	21
2-1/2"	920	460	8	16	17.5	18	8	17	18	18.5	10	18	19	21	10	19	20	21.5	10	20	20.5	22
3"	1060	530	8	16	17.5	18.5	8	17	18	19	10	18	19	21.5	10	19	20	22	10	20	20.5	22.5
4"	1680	840	8	17	18	19.5	8	18	19	20	10	19	20	22.5	10	20	20.5	23	10	21	21.5	23.5
6"	2550	1275	8	19	20.5	21.5	8	20	21.5	22	10	21	22.5	24.5	10	22	23.5	25	10	23	24	25.5
8"	3400	1700	8	21	22.5	23.5	10	22	23.5	26	10	23	24	26.5	10	24	25	27	10	25	26	27.5
10"	4000	2000	8	23	24	25.5	10	24	25	28	10	25	26	28.5	10	26	27	29	10	27	28	29.5
12"	4400	2200	8	25	26	27.5	10	26	27	30	10	27	28	30.5	10	28	29	31	10	29	30	31.5
14"	5000	2500	8	26	27	28.5	10	27	28	31	10	28	29	31.5	10	29	30	32	10	30	31	32.5
16"	5800	2900	10	28	29	32.5	10	29	30	33	10	30	31	33.5	10	31	32	34	12	32	33	36.5
18"	6400	3200	10	30	31	34.5	10	31	32	35	10	32	33	35.5	10	33	34	36	12	34	35	38.5
20"	6800	3400	10	32	33	36.5	10	33	34	37	10	34	35	37.5	10	35	36	38	12	36	37	40.5
24"	7200	3600	10	36	38	41	10	37	39	41.5	10	38	40	42	10	39	40.5	42.5	12	40	41.5	45
30"	9400	4700	10	42	43.5	47	10	43	44.5	47.5	10	44	45.5	48	12	45	46.5	50.5	12	46	47.5	51
36"	11000	5500	10	48	49.5	53	10	49	50.5	53.5	10	50	51.5	54	12	51	52.5	56.5	12	52	53.5	57
42"	12400	6200	10	54	55.5	59	10	55	56.5	59.5	10	56	57.5	60	12	57	58.5	62.5	12	58	59.5	63
48"	14200	7100	10	60	61.5	65	10	61	62.5	65.5	10	62	63.5	66	12	63	64.5	68.5	12	64	65.5	69
56"	16600	8300	10	68	69.5	73	10	69	70.5	73.5	10	70	71.5	74	12	71	72.5	76.5	12	72	73.5	77
60"	17800	8900	10	72	73.5	77	10	73	74.5	77.5	10	74	75.5	78	12	75	76.5	80.5	12	76	77.5	81
66"	19500	9750	10	78	79.5	82	10	79	80.5	82.5	10	80	81.5	83	12	81	82.5	85.5	12	82	83.5	86
72"	21300	10650	10	84	85.5	89	10	85	86.5	89.5	10	86	87.5	90	12	87	88.5	92.5	12	88	89.5	93

\*W-Dimension is calculated by multiplying (INSULATION OD\*0.65), used only for supports pipe size 6" and larger

### Applications & Features:

- Accommodates axial travel up to 3" if shoe is offset from supporting steel
- Temperature range to 1200 Deg F
- Higher temperature applications available
- Teflon®/2B SS 304 slide plates on shoe and supporting steel
- Design loads based on a safety factor of 5
- A36 Steel construction
- See technical specification RHS-850
- Test results available upon request
- Steel finish available in galvanized or painted finishes
- Support features calcium silicate insulation with high density calcium silicate structural inserts
- Support constructed in accordance with ASME B31.1, B31.3 and MSS-SP58
- Water-resistant calcium silicate
- A307 or A193 B7 Plated bolts/studs
- For special applications or for information on other insulation thicknesses or pipe sizes, please contact us.

### Ordering Instructions:

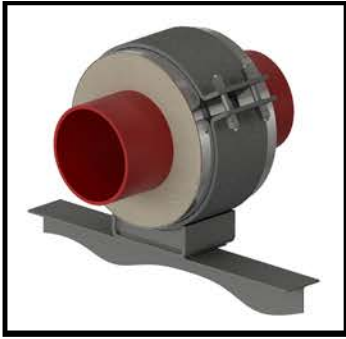
To Order, Please Specify:

- Model Number
- Nominal Pipe Size
- Insulation Thickness
- BOP
- Support Length
- Vertical Load
- Lateral & Axial Movements

\* See last page of this document for new designation model number construction

\*\* Information presented on this page subject to change without notice.





# HSCS - 6x3-4-18-3500-1200-2000

## TEMPERATURE CLASSIFICATION

- HOT (H) - (typical range 0°F to 1200°F)
- COLD (C) - (typical range -450°F to 200°F)
- DUAL TEMP (D) - (typical range -450°F to 1200°F)

## FUNCTION

- SLIDE** (S) (for vertically restrained pipe)
  - i.e. HSCS-3x1.5-4-12-2100
  - **SLIDE** (H) (for vertically restrained pipe, high lateral travel)
    - i.e. HS(H)CS-1x1.5-4-6-225-80
- GUIDE** (G) (for vertically and laterally restrained pipe)
  - i.e. HGCS-6x1.5-4-6-1275-450
  - **GUIDE** (L) (for vertically and laterally restrained pipe, allows uplift of piping)
    - i.e. HG(L)CS-1x1.5-4-6-225-80
  - **GUIDE** (M) (for vertically and laterally restrained pipe, guided at cradle)
    - i.e. HG(M)CS-1x1.5-4-6-225-80
- ANCHOR** (A) (for vertically, laterally and axially restrained pipe)
  - i.e. HACS-4x1.5-4-6-840-295-1730
- HANGING** (H) (for vertically restrained pipe)
  - i.e. HHCS-3x1.5-4-12-2100
- RISER** (V) (for vertically restrained pipe)
  - i.e. HVCS-3x1.5-4-12-2100
- FLAT** (F) (for vertically restrained pipe)
  - i.e. HFCS-3x1.5-4-12-2100
- ROLLER** (R) (for vertically restrained pipe)
  - i.e. HRCS-3x1.5-4-12-2100

## INSULATION TYPE

- Calcium Silicate (CS)
- PyroWrap (PW) (Aspen Aerogels Pyrogel® XT-E)
- Polyurethane Foam (PF)
- FOAMGLAS® (FG)
- CryoWrap (CW) (Aspen Aerogels Cryogel® Z)

