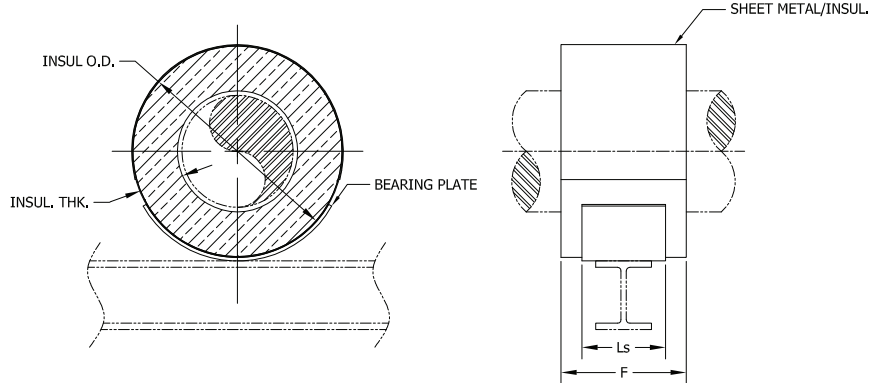
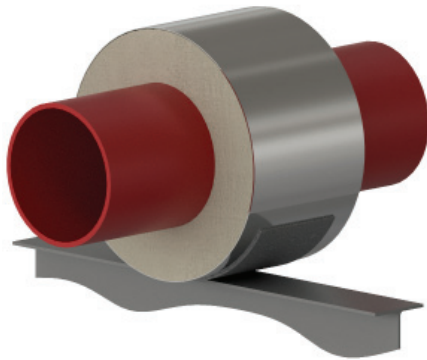


HFCS -10 x 1.5 - 9 - 875

Model No. Nominal Pipe Size Insulation Thickness F (in) Vertical Load

NEW DESIGNATION EXAMPLE

LEGACY DESIGNATION HF-7000



PIPE SIZE	VERT LOAD (Lbs)	INSULATION THICKNESS																							
		1"			1-1/2"			2"			2-1/2"			3"			3-1/2"			4"					
		F (in)	INSUL OD (in)	Ls	F (in)	INSUL OD (in)	Ls	F (in)	INSUL OD (in)	Ls	F (in)	INSUL OD (in)	Ls	F (in)	INSUL OD (in)	Ls	F (in)	INSUL OD (in)	Ls	F (in)	INSUL OD (in)	Ls			
2"	200	6	4.5	3	6	4.5	3	6	6.625	3	6	7.625	3	6	8.625	3	6	9.625	3	6	10.75	3			
2-1/2"	250	6	5	3	6	5	3	6	7.625	3	6	8.625	3	6	9.625	3	6	10.75	3	6	11.75	3			
3"	300	6	5.56	3	6	5.56	3	6	7.625	3	6	8.625	3	6	9.625	3	6	10.75	3	6	11.75	3			
4"	400	6	6.625	3	6	6.625	3	6	8.625	3	6	9.625	3	6	10.75	3	6	11.75	3	6	12.75	3			
6"	550	6	8.625	3	6	8.625	3	6	10.75	3	6	11.75	3	6	12.75	3	6	14	3	6	15	3			
8"	700	6	10.75	3	6	10.75	3	6	12.75	3	6	14	3	6	15	3	6	16	3	6	17	3			
10"	875	9	12.75	6	9	12.75	6	9	15	6	9	16	6	9	17	6	9	18	6	9	19	6			
12"	1600	9	15	6	9	15	6	9	17	6	9	18	6	9	19	6	9	20	6	9	21	6			
14"	1650	9	16	6	9	16	6	9	18	6	9	19	6	9	20	6	9	21	6	9	22	6			
16"	1850	9	18	6	9	18	6	9	20	6	9	21	6	9	22	6	9	23	6	9	24	6			
18"	2000	9	20	6	9	20	6	9	22	6	9	23	6	9	24	6	9	25	6	9	26	6			
20"	2100	9	22	6	9	22	6	9	24	6	9	25	6	9	26	6	9	27	6	9	28	6			
24"	2300	9	26	6	9	26	6	9	28	6	9	29	6	9	30	6	9	31	6	9	32	6			
30"	2500	9	32	6	9	32	6	9	34	6	9	35	6	9	36	6	9	37	6	9	38	6			
36"	2500	9	38	6	9	38	6	9	40	6	9	41	6	9	42	6	9	43	6	9	44	6			
42"	2500	9	44	6	9	44	6	9	46	6	9	47	6	9	48	6	9	49	6	9	50	6			

Applications & Features:

- Light duty insulated pipe support
- For use on flat support surfaces
- Temperature range to 500 Deg F
- Higher temperature applications available
- Support and insulate steam, hot water, chilled water, gas and HVAC lines
- Low installation costs
- Water-resistant calcium silicate
- Galvanized steel jacket
- Support constructed in accordance with MSS-SP58
- For special applications or for information on other insulation thicknesses or pipe sizes, please contact us.

Ordering Instructions:

To Order, Please Specify:

- Model Number
- Nominal Pipe Size
- Insulation Thickness
- Vertical Load
- Operating Temperature

* See last page of this document for new designation model number construction

** Information presented on this page subject to change without notice.

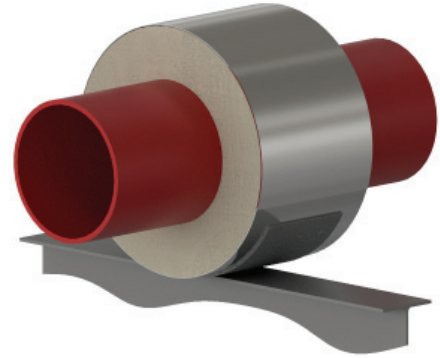
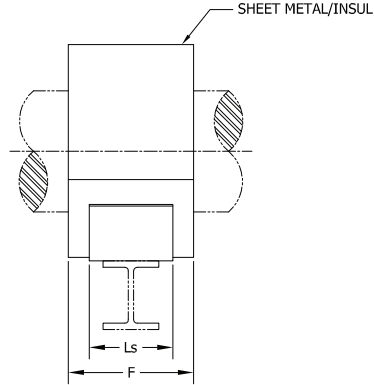
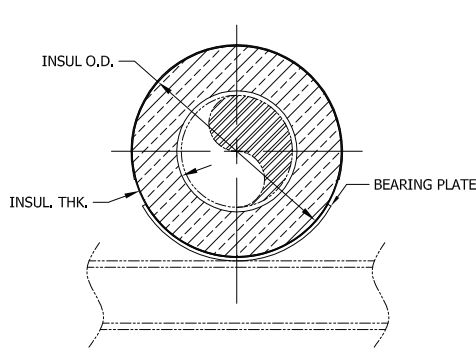


HFCS -10 x 1.5 - 9 - 875

NEW DESIGNATION
EXAMPLE

LEGACY DESIGNATION **HF-7000**

Model No. Nominal Pipe Size Insulation Thickness F (in) Vertical Load



PIPE SIZE	VERT LOAD (Lbs)	INSULATION THICKNESS																							
		4-1/2"			5"			5-1/2"			6"			6-1/2"			7"			7-1/2"			8"		
		F (in)	INSUL OD (in)	Ls	F (in)	INSUL OD (in)	Ls	F (in)	INSUL OD (in)	Ls	F (in)	INSUL OD (in)	Ls	F (in)	INSUL OD (in)	Ls	F (in)	INSUL OD (in)	Ls	F (in)	INSUL OD (in)	Ls	F (in)	INSUL OD (in)	Ls
2"	200	6	11.75	3	6	12.75	3	6	14	3	6	15	3	6	16	3	6	17	3	6	18	3	6	19	3
2-1/2"	250	6	12.75	3	6	14	3	6	15	3	6	16	3	6	17	3	6	18	3	6	19	3	6	20	3
3"	300	6	12.75	3	6	14	3	6	15	3	6	16	3	6	17	3	6	18	3	6	19	3	6	20	3
4"	400	6	14	3	6	15	3	6	16	3	6	17	3	6	18	3	6	19	3	6	20	3	6	21	3
6"	550	6	16	3	6	17	3	6	18	3	6	19	3	6	20	3	6	21	3	6	22	3	6	23	3
8"	700	6	18	3	6	19	3	6	20	3	6	21	3	6	22	3	6	23	3	6	24	3	6	25	3
10"	875	9	20	6	9	21	6	9	22	6	9	23	6	9	24	6	9	25	6	9	26	6	9	27	6
12"	1600	9	22	6	9	23	6	9	24	6	9	25	6	9	26	6	9	27	6	9	28	6	9	29	6
14"	1650	9	23	6	9	24	6	9	25	6	9	26	6	9	27	6	9	28	6	9	29	6	9	30	6
16"	1850	9	25	6	9	26	6	9	27	6	9	28	6	9	29	6	9	30	6	9	31	6	9	32	6
18"	2000	9	27	6	9	28	6	9	29	6	9	30	6	9	31	6	9	32	6	9	33	6	9	34	6
20"	2100	9	29	6	9	30	6	9	31	6	9	32	6	9	33	6	9	34	6	9	35	6	9	36	6
24"	2300	9	33	6	9	34	6	9	35	6	9	36	6	9	37	6	9	38	6	9	39	6	9	40	6
30"	2500	9	39	6	9	40	6	9	41	6	9	42	6	9	43	6	9	44	6	9	45	6	9	46	6
36"	2500	9	45	6	9	46	6	9	47	6	9	48	6	9	49	6	9	50	6	9	51	6	9	52	6
42"	2500	9	51	6	9	52	6	9	53	6	9	54	6	9	55	6	9	56	6	9	57	6	9	58	6

Applications & Features:

- Light duty insulated pipe support
- For use on flat support surfaces
- Temperature range to 500 Deg F
- Higher temperature applications available
- Support and insulate steam, hot water, chilled water, gas and HVAC lines
- Low installation costs
- Water-resistant calcium silicate
- Galvanized steel jacket
- Support constructed in accordance with MSS-SP58
- For special applications or for information on other insulation thicknesses or pipe sizes, please contact us.

Ordering Instructions:

To Order, Please Specify:

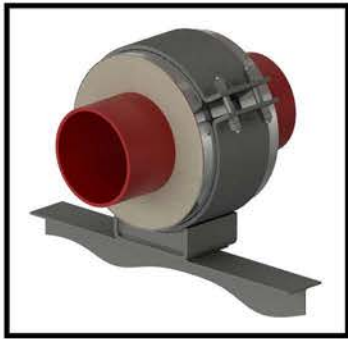
- Model Number
- Nominal Pipe Size
- Insulation Thickness
- Vertical Load
- Operating Temperature

* See last page of this document for new designation model number construction

** Information presented on this page subject to change without notice.



www.rilco.com



HSCS - 6x3-4-18-3500-1200-2000

TEMPERATURE CLASSIFICATION

HOT (H) - (typical range 0°F to 1200°F)

COLD (C) - (typical range -450°F to 200°F)

DUAL TEMP (D) - (typical range -450°F to 1200°F)

FUNCTION

SLIDE (S) (for vertically restrained pipe)
i.e. HSPW-3x1.5-4-12-2100

GUIDE (G) (for vertically and laterally restrained pipe)
i.e. HGPW-6x1.5-4-6-1275-450

- **GUIDE (L)** (for vertically and laterally restrained pipe, allows uplift of piping)
i.e. HG(L)PW-1x1.5-4-6-225-80

- **GUIDE (M)** (for vertically and laterally restrained pipe, guided at cradle)
i.e. HG(M)PW-1x1.5-4-6-225-80

ANCHOR (A) (for vertically, laterally and axially restrained pipe)
i.e. HAPW-4x1.5-4-6-840-295-1730

HANGING (H) (for vertically restrained pipe)
i.e. HHPW-3x1.5-4-12-2100

RISER (V) (for vertically restrained pipe)
i.e. HVPW-3x1.5-4-12-2100

FLAT (F) (for vertically restrained pipe)
i.e. HFPW-3x1.5-4-12-2100

ROLLER (R) (for vertically restrained pipe)
i.e. HRPW-3x1.5-4-12-2100

INSULATION TYPE

Calcium Silicate (CS)

PyroWrap (PW) (Aspen Aerogels Pyrogel® XT-E)

Polyurethane Foam (PF)

FOAMGLAS® (FG)

CryoWrap (CW) (Aspen Aerogels Cryogel® Z)

AXIAL LOAD (lbs)

LATERAL LOAD (lbs)

VERTICAL LOAD (lbs)

STEEL LENGTH (in)

BOP (in)

INSULATION THICKNESS (in)

PIPE SIZE (in)