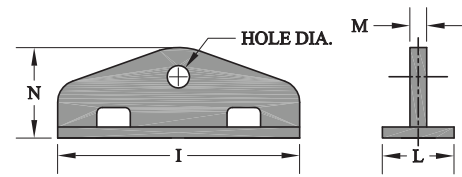
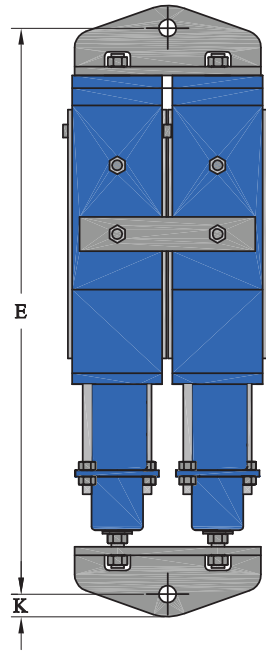
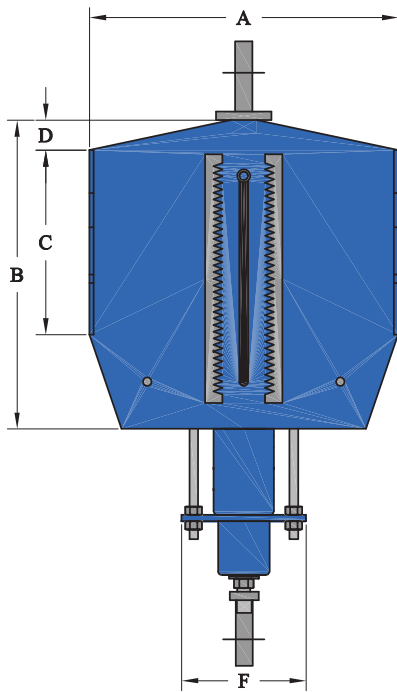




U.S. Customary Units

RCR Multiple Unit Assemblies
 2-3/4" to 3" Hanger rod diameter
 24500-43000 pound capacity

E* refers only to the uppermost blocking position.
 Downward travel increases E dimension directly.



Top and Bottom Lug Plates

RILCO CAM ROLLER™ Identifier	A	B	C	D	E*	F	H	I	K	L	M	N	Hole Dia.	Est. Unit Wt lbs.	Rod Diameter
RCR 24500-18	49	44	29.25	5	101.75	16.5	25.50	22.25	3.5	3.25	1.125	9.75	3.125	3430	2-3/4 UNC
RCR 28500-12	45.5	36.5	15.25	122	84.5	15.75	25.00	21.75	3.5	3.25	1.125	9.75	3.125	2450	2-3/4 UNC
RCR 30000-18	51.25	64	33.5	9.75	121.5	16.5	27.25	23.75	3.5	3.50	1.375	9.75	3.125	4455	2-3/4 UNC
RCR 35000-3	33.75	23	13	2	47.5	15.25	25.00	21.75	3.5	3.25	1.125	9.75	3.125	1355	2-3/4 UNC
RCR 35000-6	39	28.25	13.5	8.5	64.5	15.25	25.00	21.75	3.5	3.25	1.125	9.75	3.125	1805	2-3/4 UNC
RCR 35000-12	49	44	29.25	5	101.75	16.5	25.00	21.75	3.5	3.25	1.125	9.75	3.125	3430	2-3/4 UNC
RCR 37000-18	53.25	63.75	31.5	11.5	128	18	27.75	24.25	4.25	3.50	1.375	11.25	3.375	5250	3 UNC
RCR 43000-3	35.75	24.75	13.75	2	51.5	17.25	27.25	23.75	4.25	3.50	1.375	11.25	3.375	1730	3 UNC
RCR 43000-6	45	31	14	9.75	68.5	17.25	27.25	23.75	4.25	3.50	1.375	11.25	3.375	2355	3 UNC
RCR 43000-12	51.25	43	23	9.75	106.75	18	27.75	24.25	4.25	3.50	1.375	11.25	3.375	4070	3 UNC

All dimensions shown are in inches U.N.O.