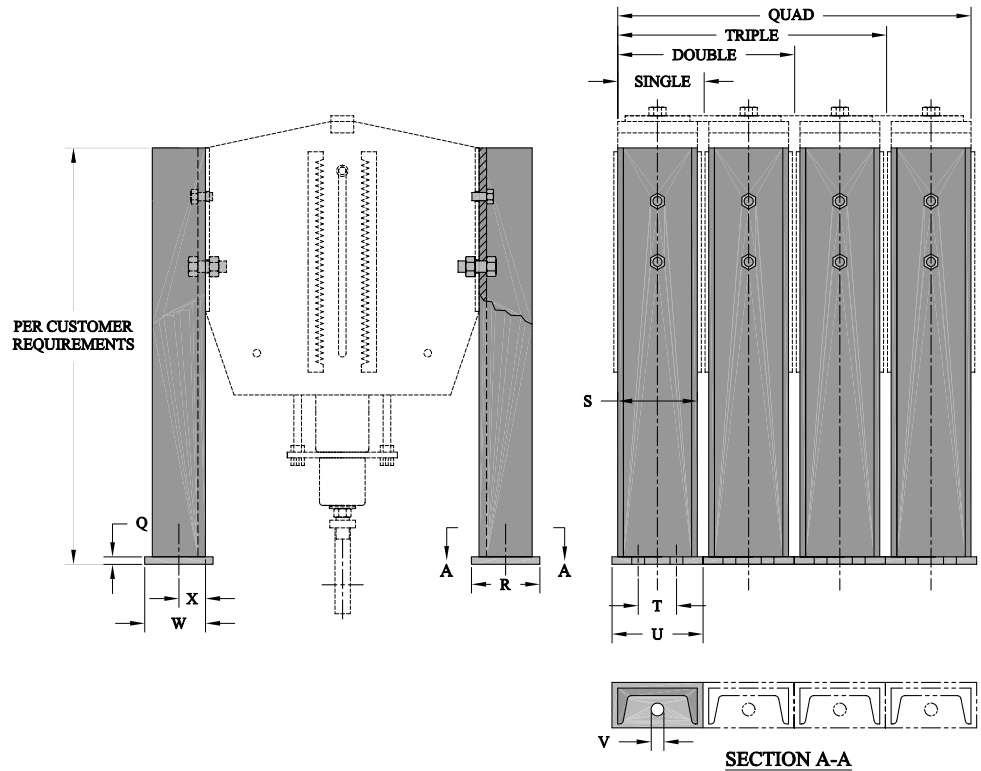


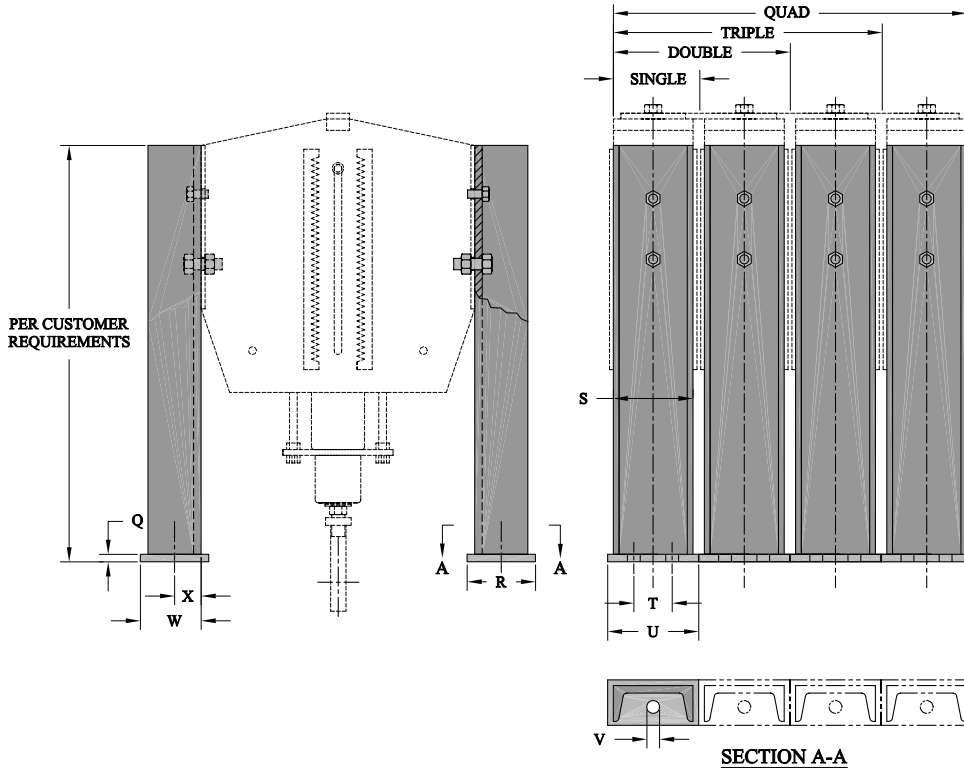
U.S. Customary Units

Bracket assemblies



Single Unit Assembly	Double Unit Assembly	Triple Unit Assembly	Quadruple Unit Assembly	Supporting Channel Size	Q	R	S	U	V	T	W	X
RCR 50-3				C3x4.1	0.25	2.125	3	3.75	0.5	0	1.75	1
RCR 50-6				C3x4.1	0.25	2.125	3	3.75	0.5	0	1.75	1
RCR 125-3				C3x4.1	0.25	2.125	3	3.75	0.5	0	1.75	1
RCR 125-6				C3x4.1	0.25	2.125	3	3.75	0.5	0	1.75	1
RCR 175-18				C4x5.4	0.25	2.375	4	4.75	0.5	2	2	1
RCR 225-12				C4x5.4	0.25	2.375	4	4.75	0.5	2	2	1
RCR 275-3				C4x5.4	0.25	2.375	4	4.75	0.5	2	2	1
RCR 275-6				C4x5.4	0.25	2.375	4	4.75	0.5	2	2	1
RCR 275-12				C4x5.4	0.25	2.375	4	4.75	0.5	2	2	1
RCR 325-18				C5x6.7	0.25	2.5	5	5.75	0.5	2.5	2.125	1
RCR 400-12				C5x6.7	0.25	2.5	5	5.75	0.5	2.5	2.125	1
RCR 550-3				C5x6.7	0.25	2.5	5	5.75	0.5	2.5	2.125	1
RCR 550-6				C5x6.7	0.25	2.5	5	5.75	0.5	2.5	2.125	1
RCR 550-12				C5x6.7	0.25	2.5	5	5.75	0.5	2.5	2.125	1
RCR 800-18				C5x6.7	0.25	2.5	5	5.75	0.5	2.5	2.125	1
RCR 900-12				C5x6.7	0.25	2.5	5	5.75	0.5	2.5	2.125	1
RCR 1100-3				C5x6.7	0.25	2.5	5	5.75	0.5	2.5	2.125	1
RCR 1100-6				C5x6.7	0.25	2.5	5	5.75	0.5	2.5	2.125	1
RCR 1100-12				C5x6.7	0.25	2.5	5	5.75	0.5	2.5	2.125	1
RCR 1200-6				C5x9	0.375	2.625	5	5.75	0.5	2.5	2.25	1.25
RCR 1650-18				C5x9	0.375	2.625	5	5.75	0.5	2.5	2.25	1.25
RCR 1800-12				C5x9	0.375	2.625	5	5.75	0.5	2.5	2.25	1.25
RCR 2200-3				C5x9	0.375	2.625	5	5.75	0.5	2.5	2.25	1.25
RCR 2200-6				C5x9	0.375	2.625	5	5.75	0.5	2.5	2.25	1.25
RCR 2200-12				C5x9	0.375	2.625	5	5.75	0.5	2.5	2.25	1.25
RCR 3250-18				C7x12.25	0.5	3.25	7	8	0.75	2.5	2.75	1.5
RCR 3500-12				C7x12.25	0.5	3.25	7	8	0.75	2.5	2.75	1.5

All dimensions shown are in inches U.N.O.



Single Unit Assembly	Double Unit Assembly	Triple Unit Assembly	Quadruple Unit Assembly	Supporting Channel Size	Q	R	S	U	V	T	W	X
RCR 4300-3				C7x12.25	0.5	3.25	7	8	0.75	2.5	2.75	1.5
RCR 4300-6				C7x12.25	0.5	3.25	7	8	0.75	2.5	2.75	1.5
RCR 4300-12				C7x12.25	0.5	3.25	7	8	0.75	2.5	2.75	1.5
RCR 5900-18				C8x13.75	0.5	3.375	8	9	0.875	2.5	2.875	1.5
RCR 7100-12				C8x13.75	0.5	3.375	8	9	0.875	2.5	2.875	1.5
RCR 7500-18				C8x13.75	0.5	3.375	8	9	0.875	2.5	2.875	1.5
RCR 8000-12				C8x13.75	0.5	3.375	8	9	0.875	2.5	2.875	1.5
RCR 8500-3				C8x13.75	0.5	3.375	8	9	0.875	2.5	2.875	1.5
RCR 8500-6				C8x13.75	0.5	3.375	8	9	0.875	2.5	2.875	1.5
RCR 8500-12				C8x13.75	0.5	3.375	8	9	0.875	2.5	2.875	1.5
RCR 9000-18				C9x20	0.625	3.625	9	10	1	2.5	3.125	1.75
RCR 10600-12				C9x20	0.625	3.625	9	10	1	2.5	3.125	1.75
RCR 11200-18				C9x20	0.625	3.625	9	10	1	2.5	3.125	1.75
RCR 13000-3				C9x20	0.625	3.625	9	10	1	2.5	3.125	1.75
RCR 13000-6				C9x20	0.625	3.625	9	10	1	2.5	3.125	1.75
RCR 13000-12				C9x20	0.625	3.625	9	10	1	2.5	3.125	1.75
RCR 17300-3	RCR 35000-3	RCR 52000-3	RCR 70000-3	C9x20	0.625	3.625	9	10	1.25	2.5	3.125	2
RCR 17300-6	RCR 35000-6	RCR 52000-6	RCR 70000-6	C9x20	0.625	3.625	9	10	1.25	2.5	3.125	2
RCR 12400-18	RCR 24500-18	RCR 46000-12	RCR 62000-18	C10x25	0.625	3.875	10	11	1.25	2.5	3.375	2.125
RCR 14400-12	RCR 28500-12	RCR 46000-18	RCR 70000-12	C10x25	0.625	3.875	10	11	1.25	2.5	3.375	2.125
RCR 15100-18	RCR 30000-18	RCR 55000-12	RCR 88000-3	C10x25	0.625	3.875	10	11	1.25	2.5	3.375	2.125
RCR 17300-12	RCR 35000-12	RCR 66000-3	RCR 88000-6	C10x25	0.625	3.875	10	11	1.25	2.5	3.375	2.125
RCR 18100-12	RCR 43000-3	RCR 66000-6		C10x25	0.625	3.875	10	11	1.25	2.5	3.375	2.125
RCR 21500-3	RCR 43000-6			C10x25	0.625	3.875	10	11	1.25	2.5	3.375	2.125
RCR 21500-6				C10x25	0.625	3.875	10	11	1.25	2.5	3.375	2.125
RCR 18900-18	RCR 37000-18	RCR 58000-18	RCR 74000-18	C12x30	0.75	4.125	12	13	1.25	2.5	3.625	2.125
RCR 21500-12	RCR 43000-12	RCR 66000-12	RCR 88000-12	C12x30	0.75	4.125	12	13	1.25	2.5	3.625	2.125

All dimensions shown are in inches U.N.O.