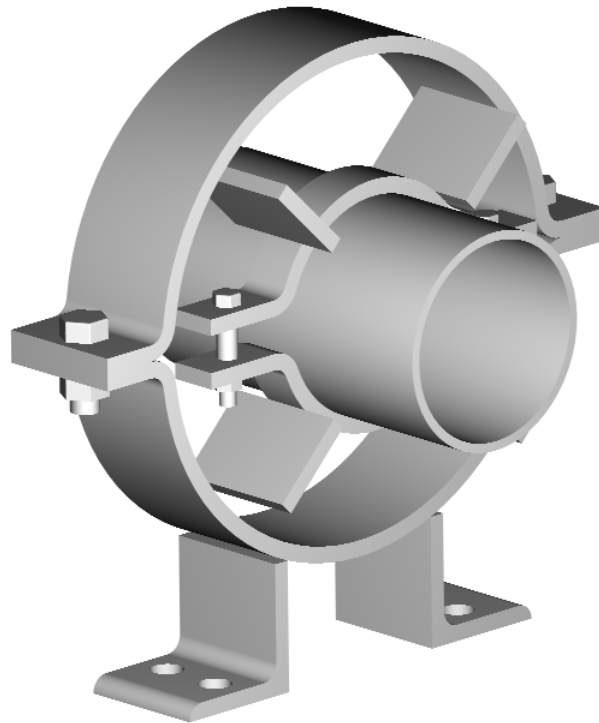


**Pipe Guides**  
**Pipe Alignment Guide:**  
**Medium Duty**

**PART# 680**



**SIZE RANGE:** 1" - 24" inch pipe with 1" - 4" inches of insulation.  
**MATERIAL:** Carbon Steel  
**FINISH:** Black, Galvanized, or coated to customer specifications.  
**SERVICE:** For maintaining alignment of piping through its axial expansion and contraction cycles.  
**ORDERING:** Specify finish, pipe size and insulation thickness.

**Pipe Guides**  
**Pipe Alignment Guide:**  
**Heavy Duty**

**PART# 690**

