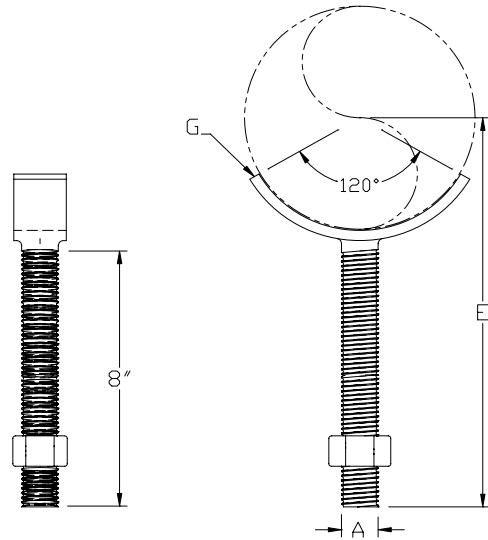


PART# 664

Pipe Supports Adjustable Pipe Saddle Support



SIZE RANGE: 2" to 12" inches.

MATERIAL: Carbon Steel

FINISH: Black, Galvanized, or coated to customer specifications.

SERVICE: Stanchion type support where vertical adjustment of stationary pipe is needed.

ORDERING: Specify part name, number, finish and pipe size to be supported.

Load (lbs) • Weight (lbs) • Dimensions (inches)

Pipe size	Weight	A	E	G
2	1.0	5/8	9 7/16	1/4 x 1
2 1/2	1.4		9 11/16	
3	1.6		10	
3 1/2	2.6		10 1/4	
4	3.0	7/8	10 1/2	1/4 x 1 1/4
5	3.2		11	
6	4.9	1	11 11/16	3/8 x 1 1/2
8	6.2		12 11/16	
10	10.5	1 1/4	13 7/8	1/2 x 2
12	11.8		14 7/8	