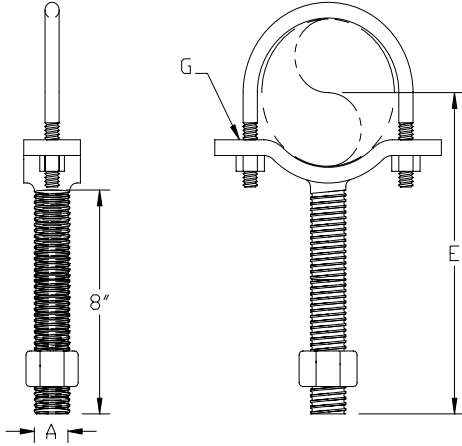


**Pipe Supports**  
**Adjustable Pipe Stanchion**  
**saddle w/ U-bolt**

**PART# 662**



**SIZE RANGE:** 2" to 12" inches.

**MATERIAL:** Carbon Steel

**FINISH:** Black, Galvanized, or coated to customer specifications.

**SERVICE:** Stanchion type support where vertical adjustment and stability of stationary pipe is required.

**ORDERING:** Specify part number, name, finish and pipe size to be supported.

**Load (lbs) • Weight (lbs) • Dimensions (inches)**

Pipe size	Weight	A	C	E	G
2	1.2	5/8	2 11/16	9 7/16	1/4 x 1
2 1/2	1.4		3 5/16	9 11/16	
3	1.6		3 15/16	10	
3 1/2	2.6	7/8	4 7/16	10 1/4	1/4 x 1 1/4
4	3.0		5 1/4	10 1/2	
5	3.2	1	6 1/8	11	3/8 x 1 1/2
6	4.9		7 1/4	11 11/16	
8	6.2	1 1/4	9 3/8	12 11/16	1/2 x 2
10	10.5		11 1/2	13 7/8	
12	11.8		13 1/2	14 7/8	