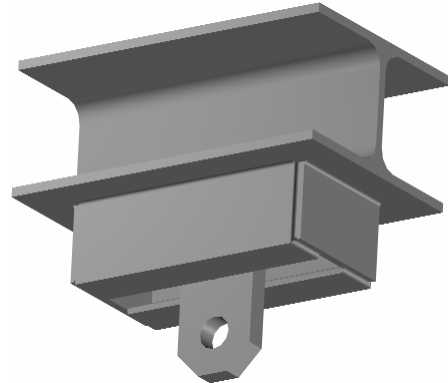
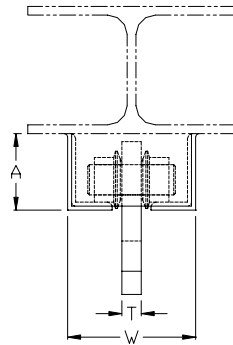
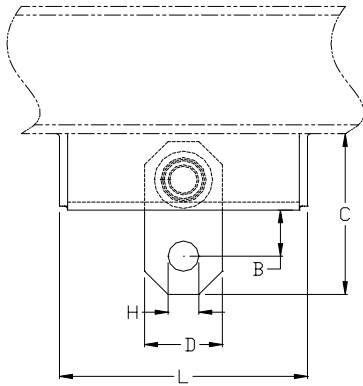


Horizontal Traveler

PART# 580



**MATERIAL:** Carbon Steel

**SIZE RANGE:** Available in four sizes able to take up to 20,700 (lbs.). All sizes provide up to 12" inches of horizontal travel.

**INSTALLATION:** Part ready for installation. May be attached to existing support by welding around the frame.

**FINISH:** Black, Galvanized, or coated to customer specifications.

**APPROVALS:** Complies with Manufacturers Standardization Society SP-69 (Type 58)

**ORDERING:** Specify size, part number, name and "H" dimension, if necessary.

Load (lbs) • Weight (lbs) • Dimensions (inches)

Size	Maximum load	Weight	A	B	C	D	H Max	L	T	W
1	3770	15	2 1/2	1 5/8	5 3/8	2 1/2	1 1/8	15 1/8	3/4	4 5/8
2	6230	37	3 1/2	2 5/8	7 7/8	3 1/2	1 3/8	16 3/8		6 7/8
3	11630	69	5	3	10 1/2	5	1 3/4	17 7/8	1	8 7/16
4	20700	102	6	3 1/2	12 1/2	6	2 3/8	19 1/8	1 1/2	9 7/8