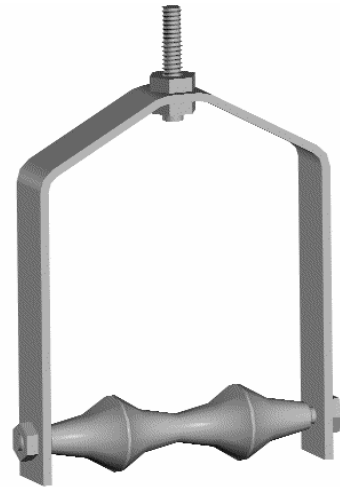
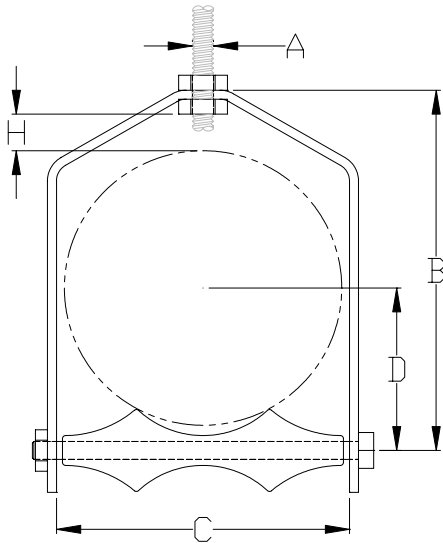


Pipe Roll
Adjustable Steel Yoke Pipe Roll

PART# 536



SIZE RANGE: 2 1/2" to 24" inch pipe.

MATERIAL: Cast iron roll, carbon steel yoke, roll rod, bolts and hex nuts.

FINISH: Black, Galvanized, or coated to customer specifications.

SERVICE: For suspension of pipe from a single rod where horizontal movement due to expansion and contraction may occur.

APPROVALS: Complies with Manufacturers Standardization Society SP-69 (Type 43)

HOW TO SIZE: If roll is to support bare pipe, select the size directly from nominal pipe size. If used with a pipe covering select O.D. of protection saddle.

ORDERING: Specify size of roll, part number, name and finish. Be sure to order oversized rolls when insulation and protection saddle are needed.

Load (lbs) • Weight (lbs) • Dimensions (inches)

| Pipe size | Maximum load | Weight | Rod size A | B | C | D | Rod take-out | H |
|-----------|--------------|--------|------------|----------|---------|----------|--------------|---------|
| 2 1/2 | 225 | 1.7 | 1/2 | 5 3/4 | 3 1/4 | 1 15/16 | 2 7/8 | 1 11/16 |
| 3 | 310 | 2.2 | | 6 3/8 | 3 7/8 | 2 1/4 | 3 1/8 | 1 5/8 |
| 3 1/2 | 390 | 2.5 | | 7 | 4 3/8 | 2 9/16 | 3 1/2 | 1 11/16 |
| 4 | 475 | 3.2 | 5/8 | 7 9/16 | 4 15/16 | 2 13/16 | 3 5/8 | 1 5/8 |
| 5 | 685 | 6.3 | 5/8 | 5 1/8 | 6 | 3 7/16 | 4 1/2 | 1 15/16 |
| 6 | 780 | 9.3 | 3/4 | 10 5/16 | 7 1/8 | 4 | 5 | 1 7/8 |
| 8 | 780 | 14.5 | | 12 11/16 | 9 1/4 | 5 1/8 | 6 1/8 | 2 |
| 10 | 965 | 18.8 | 3/8 | 15 1/16 | 11 1/4 | 6 3/8 | 7 1/4 | 2 1/16 |
| 12 | 1200 | 27.7 | | 17 7/16 | 13 1/4 | 7 7/16 | 8 3/8 | 2 1/4 |
| 14 | 1200 | 39.1 | | 18 7/8 | 14 1/2 | 8 3/8 | 8 3/4 | 2 |
| 16 | 1200 | 49.1 | 1 | 20 13/16 | 16 1/2 | 9 3/8 | 9 11/16 | 1 15/16 |
| 18 | 1400 | 57.8 | | 23 3/4 | 18 1/2 | 10 7/16 | 11 7/16 | 2 13/16 |
| 20 | 1600 | 75.9 | 1 1/4 | 26 | 20 1/2 | 11 5/8 | 12 1/4 | 2 1/2 |
| 24 | 1800 | 119.3 | 1 1/2 | 32 5/16 | 24 5/8 | 13 15/16 | 15 3/4 | 4 3/8 |