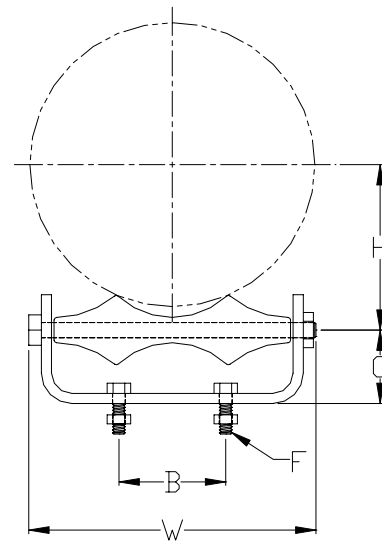
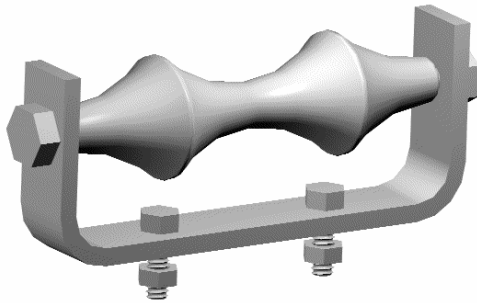


PART# 535

Pipe Roll Roller chair



SIZE RANGE: 2" to 30" inch pipe.

MATERIAL: Cast iron roll, Carbon Steel chair, roll rod, bolts and hex nuts.

FINISH: Black, Galvanized, or coated to customer specifications.

SERVICE: For support of pipe where longitudinal movement due to expansion and contraction may occur, but where no vertical adjustment is needed.

HOW TO SIZE: If roll is to support bare pipe, select the size directly from nominal pipe size. If used with a pipe covering select O.D. of protection saddle.

ORDERING: Specify size of roll, part number, name and finish. Be sure to order oversized rolls when insulation and protection saddle are needed.

Load (lbs) • Weight (lbs) • Dimensions (inches)

Pipe size	Maximum load	Weight	W	B	C	F	H
2	600	1.1	4	1 1/4	1 1/2	3/8 x 1 1/2	1 5/8
2 1/2	660	1.4	4 7/8		1 3/8		1 15/16
3	700	1.6	5 3/8	1 3/4	2 1/4		
3 1/2	750	2.6	6 1/8	2	2 1/16	1/2 x 1 1/2	2 9/16
4		2.9	6 3/8		2 5/16		2 13/16
5		3.9	7 7/8	3	2 1/2	3 7/16	
6	1070	5.9	9 1/4	3 1/8	2 3/4	4	
8	1350	9.0	11 5/8	3 3/8	3	5/8 x 1 1/2	5 1/8
10	1730	13.8	14 1/8	5 1/4	3 5/8	5/8 x 2	6 3/8
12	2400	18.9	16 1/8	5 1/2	4 1/8		7 7/16
14	3130	28.07	18 3/4	6 1/2	4 11/16	3/4 x 2	8 3/8
16	3970	34.93	21	8 1/4	5 3/8	3/4 x 2 1/2	9 3/8
18	4200	44.35	23 1/8	9 1/4	6		10 7/16
20	4550	56.34	24 3/8	10 1/4	6 1/2	11 5/8	
24	6160	87.52	29 3/8	12 1/4	7 7/8	14	
30	7290	151.25	34 13/16	15 3/8	8 3/4	7/8 x 3 1/2	17 7/16