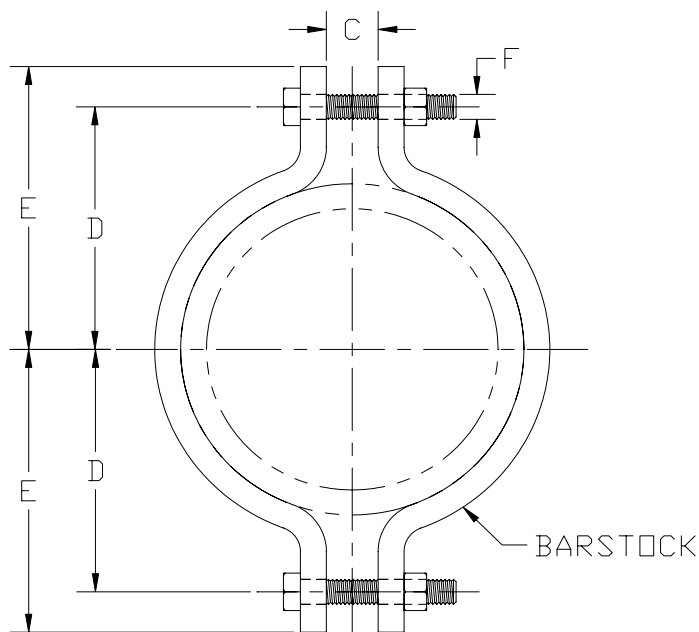


Non-Standard Two Bolt Pipe Clamp

Part # 364



MATERIAL TYPES: Carbon steel, chrome molybdenum or stainless steel.

FINISH : Black, Galvanized, or coated to customer specifications.

APPLICATIONS: Recommended for suspension of cold or hot pipe lines where no insulation is required.

MAXIMUM TEMPERATURE: As required

ORDERING: RILCO Part #364 Pipe Clamp, material type, pipe size, load, operating temperature. Alloy clamps, unless otherwise specified, will be furnished with alloy studs made from ASTM spec. A-193-B7 stud stock with the center unthreaded and hex nuts.