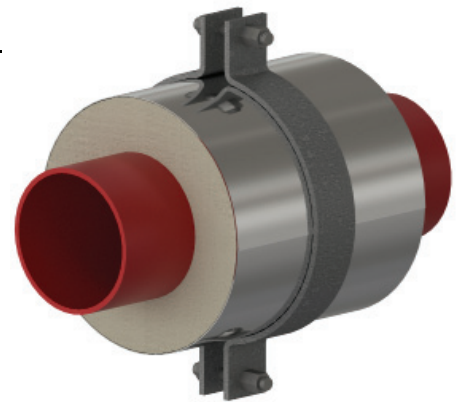
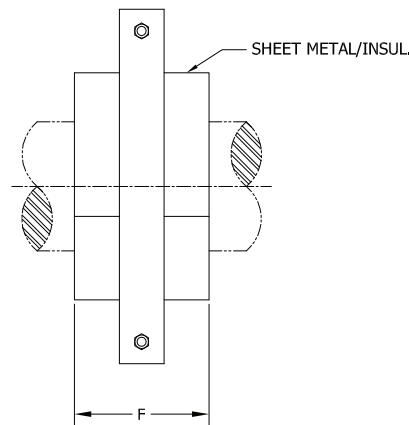
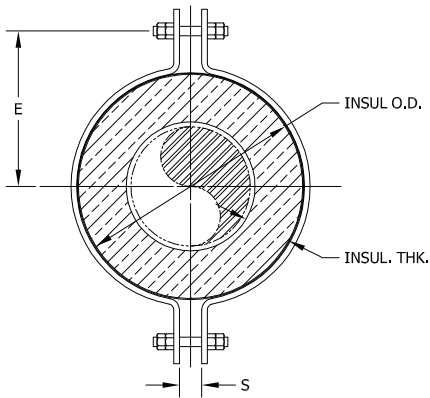


HHCS - 2 x 1.5 - 9 - 1215

NEW DESIGNATION
EXAMPLE

LEGACY DESIGNATION HH-3200

Model No. Nominal Pipe Size Insulation Thickness F (in) Vertical Load



PIPE SIZE	VERT LOAD (Lbs)	INSULATION THICKNESS																											
		1"					1-1/2"					2"					2-1/2"					3"							
		F (in)	INSUL OD (in)	E (in)	S (in)	F (in)	INSUL OD (in)	E (in)	S (in)	F (in)	INSUL OD (in)	E (in)	S (in)	F (in)	INSUL OD (in)	E (in)	S (in)	F (in)	INSUL OD (in)	E (in)	S (in)								
1"	860	9	3.5	3.25	0.875	9	4.5	3.75	0.875	9	5.563	4.25	0.875	9	6.625	4.875	0.875	9	6.625	4.875	0.875	9	7.625	5.375	0.875	9	8.625	5.875	0.875
1-1/2"	1215	9	4	3.5	0.875	9	5	4.125	0.875	9	6.625	4.875	0.875	9	7.625	5.375	0.875	9	8.625	6.25	0.875	9	9.625	6.75	0.875	9	10.75	7.375	0.875
2"	1215	9	4.5	3.875	0.875	9	5.563	4.375	0.875	9	6.625	4.875	0.875	9	7.625	5.375	0.875	9	8.625	6.25	0.875	9	9.625	6.75	0.875	9	10.75	7.375	0.875
2-1/2"	1220	9	5	4.125	0.875	9	6.625	4.875	0.875	9	7.625	5.375	0.875	9	8.625	6.25	0.875	9	9.625	7.375	0.875	9	10.75	7.375	0.875	9	11.75	8.25	1.25
3"	1820	9	5.563	4.5	0.875	9	6.625	5.125	0.875	9	7.625	5.75	0.875	9	8.625	6.25	0.875	9	9.625	6.75	0.875	9	10.75	7.375	0.875	9	11.75	8.25	1.25
4"	2590	9	6.625	5.125	0.875	9	7.625	5.75	0.875	9	8.625	6.25	0.875	9	9.625	6.75	0.875	9	10.75	7.375	0.875	9	11.75	8.25	1.25	9	12.75	8.75	1.25
6"	3750	9	8.625	6.625	1.25	9	9.625	7.125	1.25	9	10.75	7.75	1.25	9	11.75	8.25	1.25	9	12.75	8.75	1.25	9	13.75	9.25	1.25	9	14.75	9.75	1.25
8"	4220	9	10.75	7.75	1.25	9	11.75	8.25	1.25	9	12.75	8.75	1.25	9	13.75	9.25	1.25	9	14.75	9.75	1.25	9	15.75	10.25	1.25	9	16.75	10.75	1.25
10"	6100	9	12.75	9.875	1.75	9	14	10.5	1.75	9	15	11	1.75	9	16	11.63	1.75	9	17	12.375	1.75	9	18	13.125	1.75	9	19	13.875	1.75
12"	7770	9	15	11	1.75	9	16	11.63	1.75	9	17	12.38	1.75	9	18	13	1.75	9	19	13.75	1.75	9	20	14.5	1.75	9	21	15.25	1.75
14"	7805	9	16	11.625	1.75	9	17	12.38	1.75	9	18	13	1.75	9	19	13.5	1.75	9	20	14.25	1.75	9	21	15	1.75	9	22	15.75	1.75
16"	8000	9	18	13	1.75	9	19	13.5	1.75	9	20	14	1.75	9	21	14.5	1.75	9	22	15.25	1.75	9	23	16	1.75	9	24	16.75	1.75
18"	11270	9	20	14.125	1.75	9	21	15.25	1.75	9	22	16.13	1.75	9	23	16.38	1.75	9	24	17.125	1.75	9	25	17.875	1.75	9	26	18.625	1.75
20"	11470	9	22	15.75	1.75	9	23	16.38	1.75	9	24	16.88	1.75	9	25	17.38	1.75	9	26	18.125	1.75	9	27	18.875	1.75	9	28	19.625	1.75
24"	12225	9	26	18.25	2.625	9	27	18.75	2.625	9	28	19.25	2.625	9	29	19.75	2.625	9	30	20.25	2.625	9	31	20.75	2.625	9	32	21.25	2.625
30"	16500	12	32	21.25	2.625	12	33	21.88	2.625	12	34	22.38	2.625	12	35	22.88	2.625	12	36	23.375	2.625	12	37	23.875	2.625	12	38	24.375	2.625
36"	17400	12	38	24.375	2.625	12	39	24.88	2.625	12	40	25.38	2.625	12	41	26.38	2.625	12	42	27.125	2.625	12	43	27.875	2.625	12	44	28.625	2.625
42"	17400	12	44	28.125	2.625	12	45	28.63	2.625	12	46	29.25	2.625	12	47	29.75	2.625	12	48	30.25	2.625	12	49	30.75	2.625	12	50	31.25	2.625

Applications & Features:

- Insulated Pipe Support with a Heavy Duty 2-Bolt Pipe Clamp
- For use with standard pipe hanger hardware
- Temperature range to 1200 Deg F
- Higher temperature applications available
- Support and insulate steam, hot water, chilled water, gas and HVAC lines
- Low installation costs
- A-36 clamp available in galvanized or painted finishes
- Water-resistant calcium silicate
- Galvanized steel jacket
- Support constructed in accordance with MSS-SP58
- A307 or A193 B7 Plated bolts/studs
- For special applications or for information on other insulation thicknesses or pipe sizes, please contact us.

Ordering Instructions:

To Order, Please Specify:

- Model Number
- Nominal Pipe Size
- Insulation Thickness
- Vertical Load
- Operating Temperature

* See last page of this document for new designation model number construction

** Information presented on this page subject to change without notice.



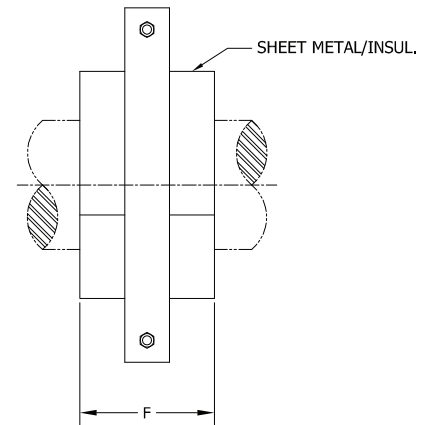
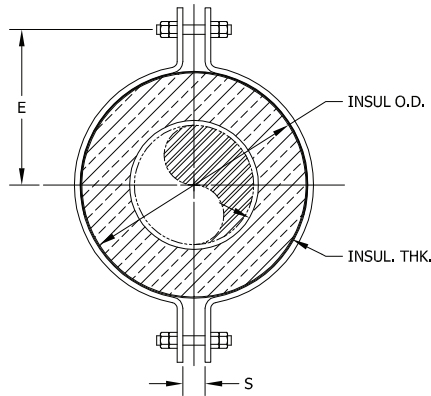
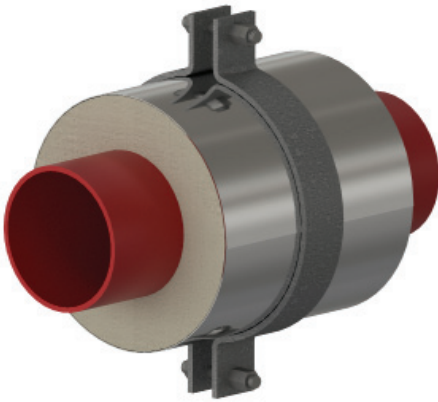
www.rilco.com

HHCS - 2 x 1.5 - 9 - 1215

Model No. Nominal Pipe Size Insulation Thickness F (in) Vertical Load

NEW DESIGNATION
EXAMPLE

LEGACY DESIGNATION **HH-3200**



PIPE SIZE	VERT LOAD (Lbs)	INSULATION THICKNESS																			
		3-1/2"				4"				4-1/2"				5"				5-1/2"			
		F (in)	INSUL OD (in)	E (in)	S (in)	F (in)	INSUL OD (in)	E (in)	S (in)	F (in)	INSUL OD (in)	E (in)	S (in)	F (in)	INSUL OD (in)	E (in)	S (in)	F (in)	INSUL OD (in)	E (in)	S (in)
1"	860	9	8.625	5.875	0.875	9	9.625	6.375	0.875	9	10.75	6.875	0.875	9	11.75	7.5	0.875	9	12.75	8	0.875
1-1/2"	1215	9	9.625	6.375	0.875	9	10.75	6.875	0.875	9	11.75	7.625	0.875	9	12.75	8.125	0.875	9	14	8.75	0.875
2"	1215	9	9.625	6.5	0.875	9	10.75	7	0.875	9	11.75	7.625	0.875	9	12.75	8.125	0.875	9	14	8.75	0.875
2-1/2"	1220	9	10.75	7	0.875	9	11.75	7.625	0.875	9	12.75	8.125	0.875	9	14	8.75	0.875	9	15	9.375	0.875
3"	1820	9	10.75	7.375	0.875	9	11.75	7.875	0.875	9	12.75	8.375	0.875	9	14	9.125	0.875	9	15	9.75	0.875
4"	2590	9	11.75	7.875	0.875	9	12.75	8.375	0.875	9	14	9.125	0.875	9	15	9.75	0.875	9	16	10.25	0.875
6"	3750	9	14	10.25	1.25	9	15	10.75	1.25	9	16	11.38	1.25	9	17	11.88	1.25	9	18	12.375	1.25
8"	4220	9	16	11.375	1.25	9	17	11.88	1.25	9	18	12.38	1.25	9	19	12.88	1.25	9	20	13.375	1.25
10"	6100	9	18	13	1.75	9	19	13.5	1.75	9	20	14	1.75	9	21	14.5	1.75	9	22	15	1.75
12"	7770	9	20	14	1.75	9	21	14.5	1.75	9	22	15	1.75	9	23	15.5	1.75	9	24	16	1.75
14"	7805	9	21	14.5	1.75	9	22	15	1.75	9	23	15.5	1.75	9	24	16	1.75	9	25	16.625	1.75
16"	8000	9	23	15.5	1.75	9	24	16	1.75	9	25	16.63	1.75	9	26	17.13	1.75	9	27	17.625	1.75
18"	11270	9	25	17.375	1.75	9	26	17.88	1.75	9	27	18.38	1.75	9	28	18.88	1.75	9	29	19.375	1.75
20"	11470	9	27	18.375	1.75	9	28	18.88	1.75	9	29	19.38	1.75	9	30	20	1.75	9	31	20.5	1.75
24"	12225	12	31	20.75	2.625	12	32	21.25	2.625	12	33	21.88	2.625	12	34	22.38	2.625	12	35	22.875	2.625
30"	16500	12	37	23.875	2.625	12	38	24.38	2.625	12	39	24.88	2.625	12	40	25.38	2.625	12	41	26.625	2.625
36"	17400	12	43	27.625	2.625	12	44	28.13	2.625	12	45	28.63	2.625	12	46	29.25	2.625	12	47	29.75	2.625
42"	17400	12	49	30.75	2.625	12	50	31.25	2.625	12	51	31.75	2.625	12	52	32.25	2.625	12	53	32.75	2.625

Applications & Features:

- Insulated Pipe Support with a Heavy Duty 2-Bolt Pipe Clamp
- For use with standard pipe hanger hardware
- Temperature range to 1200 Deg F
- Higher temperature applications available
- Support and insulate steam, hot water, chilled water, gas and HVAC lines
- Low installation costs
- A-36 clamp available in galvanized or painted finishes
- Water-resistant calcium silicate
- Galvanized steel jacket
- Support constructed in accordance with MSS-SP58
- A307 or A193 B7 Plated bolts/studs
- For special applications or for information on other insulation thicknesses or pipe sizes, please contact us.

Ordering Instructions:

To Order, Please Specify:

- Model Number
- Nominal Pipe Size
- Insulation Thickness
- Vertical Load
- Operating Temperature

* See last page of this document for new designation model number construction

** Information presented on this page subject to change without notice.

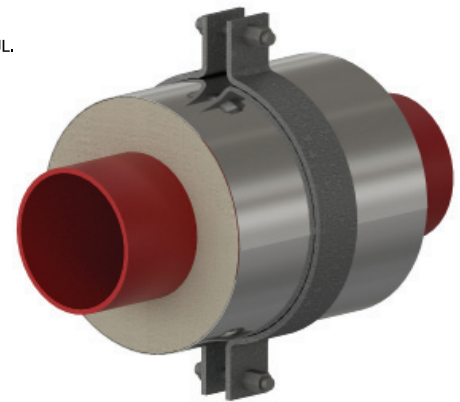
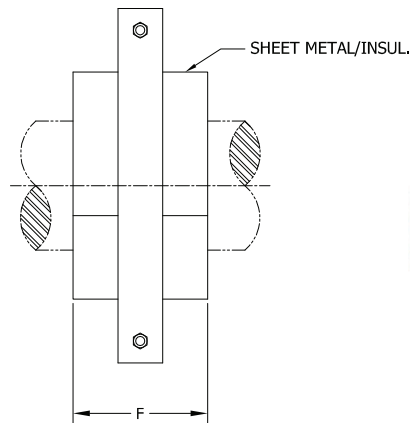
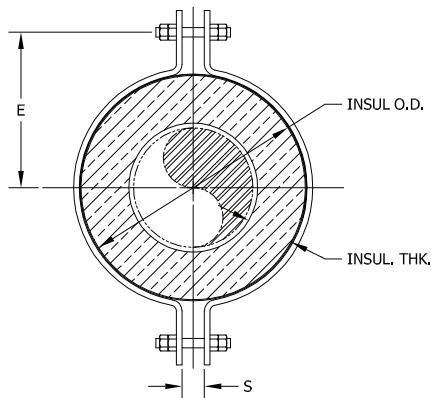


HHCS - 2 x 1.5 - 9 - 1215

NEW DESIGNATION
EXAMPLE

LEGACY DESIGNATION **HH-3200**

Model No. Nominal Pipe Size Insulation Thickness F (in) Vertical Load



PIPE SIZE	VERT LOAD (lbs)	INSULATION THICKNESS																			
		6"				6-1/2"				7"				7-1/2"				8"			
		F (in)	INSUL OD (in)	E (in)	S (in)	F (in)	INSUL OD (in)	E (in)	S (in)	F (in)	INSUL OD (in)	E (in)	S (in)	F (in)	INSUL OD (in)	E (in)	S (in)	F (in)	INSUL OD (in)	E (in)	S (in)
1"	860	9	14	8.625	0.875	9	15	9.25	0.875	9	16	9.75	0.875	9	17	10.25	0.875	9	18	10.75	0.875
1-1/2"	1215	9	15	9.375	0.875	9	16	9.875	0.875	9	17	10.38	0.875	9	18	10.88	0.875	9	19	11.375	0.875
2"	1215	9	15	9.375	0.875	9	16	9.875	0.875	9	17	10.38	0.875	9	18	10.88	0.875	9	19	11.375	0.875
2-1/2"	1220	9	16	9.875	0.875	9	17	10.38	0.875	9	18	10.88	0.875	9	19	11.38	0.875	9	20	11.875	0.875
3"	1820	9	16	10.25	0.875	9	17	10.75	0.875	9	18	11.25	0.875	9	19	11.75	0.875	9	20	12.25	0.875
4"	2590	9	17	10.75	0.875	9	18	11.25	0.875	9	19	11.75	0.875	9	20	12.25	0.875	9	21	13.75	0.875
6"	3750	9	19	12.875	1.25	9	20	13.38	1.25	9	21	13.88	1.25	9	22	14.38	1.25	9	23	14.875	1.25
8"	4220	9	21	13.875	1.25	9	22	14.38	1.25	9	23	14.88	1.25	9	24	15.5	1.25	9	25	16	1.25
10"	6100	9	23	15.5	1.75	9	24	16	1.75	9	25	16.63	1.75	9	26	17.13	1.75	9	27	17.625	1.75
12"	7770	9	25	16.625	1.75	9	26	17.13	1.75	9	27	17.63	1.75	9	28	18.13	1.75	9	29	18.625	1.75
14"	7805	9	26	17.125	1.75	9	27	17.63	1.75	9	28	18.13	1.75	9	29	18.63	1.75	9	30	19.125	1.75
16"	8000	9	28	18.125	1.75	9	29	18.63	1.75	9	30	19.13	1.75	9	31	19.63	1.75	9	32	20.125	1.75
18"	11270	9	30	20	1.75	9	31	20.5	1.75	9	32	21	1.75	12	33	21.5	1.75	12	34	22	1.75
20"	11470	9	32	21	1.75	12	33	21.5	1.75	12	34	22	1.75	12	35	22.5	1.75	12	36	23	1.75
24"	12225	12	36	23.375	2.625	12	37	23.88	2.625	12	38	24.38	2.625	12	39	24.88	2.625	12	40	25.375	2.625
30"	16500	12	42	27.125	2.625	12	43	27.63	2.625	12	44	28.13	2.625	12	45	28.63	2.625	12	46	29.25	2.625
36"	17400	12	48	30.25	2.625	12	49	30.75	2.625	12	50	31.25	2.625	12	51	31.75	2.625	12	52	32.25	2.625
42"	17400	12	54	33.25	2.625	12	55	33.75	2.625	12	56	34.25	2.625	12	57	35.5	2.625	12	58	36	2.625

Applications & Features:

- Insulated Pipe Support with a Heavy Duty 2-Bolt Pipe Clamp
- For use with standard pipe hanger hardware
- Temperature range to 1200 Deg F
- Higher temperature applications available
- Support and insulate steam, hot water, chilled water, gas and HVAC lines
- Low installation costs
- A-36 clamp available in galvanized or painted finishes
- Water-resistant calcium silicate
- Galvanized steel jacket
- Support constructed in accordance with MSS-SP58
- A307 or A193 B7 Plated bolts/studs
- For special applications or for information on other insulation thicknesses or pipe sizes, please contact us.

Ordering Instructions:

To Order, Please Specify:

- Model Number
- Nominal Pipe Size
- Insulation Thickness
- Vertical Load
- Operating Temperature

* See last page of this document for new designation model number construction

** Information presented on this page subject to change without notice.



www.rilco.com