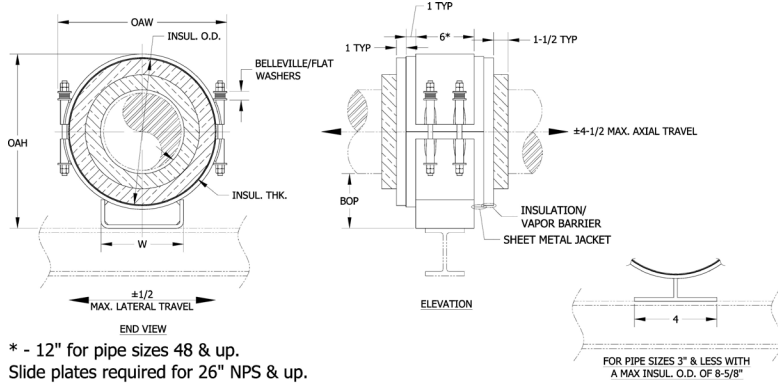


CSPF - 8 x 1.5 - 4 - 6 - 1100

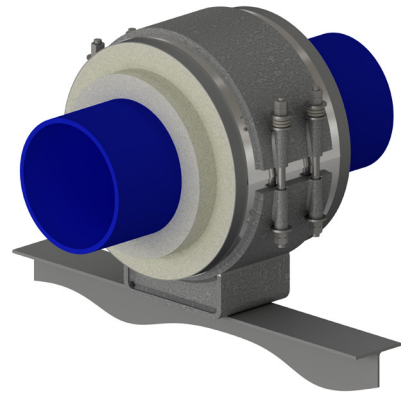
NEW DESIGNATION
EXAMPLE

LEGACY DESIGNATION CS-1000

Model No. Nominal Pipe Size Insulation Thickness BOP (in) Support Length Vertical Load



* - 12" for pipe sizes 48 & up.
Slide plates required for 26" NPS & up.
All dimensions in inches unless noted.



Do you need special loads or dimensions for this design? Please contact us at (713) 466-4777 or sales@rilco.com.

| PIPE SIZE | VERT LOAD (Lbs) | INSULATION THICKNESS | | | | | | | | | | | | | | | | | | | |
|-----------|-----------------|----------------------|---------------|----------|----------|----------|---------------|----------|----------|----------|---------------|----------|----------|----------|---------------|----------|----------|----------|---------------|----------|----------|
| | | 1" | | | | 1-1/2" | | | | 2" | | | | 2-1/2" | | | | 3" | | | |
| | | BOP (in) | INSUL OD (in) | OAW (in) | OAH (in) | BOP (in) | INSUL OD (in) | OAW (in) | OAH (in) | BOP (in) | INSUL OD (in) | OAW (in) | OAH (in) | BOP (in) | INSUL OD (in) | OAW (in) | OAH (in) | BOP (in) | INSUL OD (in) | OAW (in) | OAH (in) |
| 1/2" | 60 | 4 | 2.875 | 4.5 | 6.5 | 4 | 4 | 6 | 7 | 4 | 5 | 7 | 7.5 | 4 | 6.625 | 8.5 | 8.5 | 6 | 7.625 | 9.5 | 11 |
| 3/4" | 70 | 4 | 2.875 | 4.5 | 6.5 | 4 | 4 | 6 | 7 | 4 | 5 | 7 | 7.5 | 4 | 6.625 | 8.5 | 8.5 | 6 | 7.625 | 9.5 | 11 |
| 1" | 90 | 4 | 3.5 | 5.5 | 7 | 4 | 4.5 | 6.5 | 7.5 | 4 | 5.563 | 7.5 | 8 | 4 | 6.625 | 8.5 | 8.5 | 6 | 7.625 | 9.5 | 11 |
| 1-1/2" | 140 | 4 | 4 | 6 | 7.5 | 4 | 5 | 7 | 8 | 4 | 6.625 | 8.5 | 9 | 4 | 7.625 | 9.5 | 9.5 | 6 | 8.625 | 10.5 | 12 |
| 2" | 170 | 4 | 4.5 | 6.5 | 8 | 4 | 5.563 | 7.5 | 8.5 | 4 | 6.625 | 8.5 | 9 | 4 | 7.625 | 9.5 | 9.5 | 6 | 8.625 | 10.5 | 12 |
| 2-1/2" | 260 | 4 | 5 | 7 | 8.5 | 4 | 6.625 | 8.5 | 9.5 | 4 | 7.625 | 9.5 | 10 | 4 | 8.625 | 10.5 | 10.5 | 6 | 9.625 | 11.5 | 13 |
| 3" | 310 | 4 | 5.56 | 7.5 | 9 | 4 | 6.625 | 8.5 | 9.5 | 4 | 7.625 | 9.5 | 10 | 4 | 8.625 | 10.5 | 10.5 | 6 | 9.625 | 11.5 | 13 |
| 4" | 400 | 4 | 6.625 | 8.5 | 10 | 4 | 7.625 | 9.5 | 10.5 | 4 | 8.625 | 10.5 | 11 | 4 | 9.625 | 11.5 | 11.5 | 6 | 10.75 | 12.5 | 14 |
| 6" | 590 | 4 | 8.625 | 11 | 12 | 4 | 9.625 | 12 | 12.5 | 4 | 10.75 | 13 | 13.5 | 4 | 11.75 | 14 | 14 | 6 | 12.75 | 15 | 16.5 |
| 8" | 1100 | 4 | 10.75 | 13 | 14.5 | 4 | 11.75 | 14 | 15 | 4 | 12.75 | 15 | 15.5 | 6 | 14 | 16.5 | 18 | 6 | 15 | 17.5 | 18.5 |
| 10" | 1300 | 4 | 12.75 | 15 | 16.5 | 4 | 14 | 16.5 | 17 | 4 | 15 | 17.5 | 17.5 | 6 | 16 | 18.5 | 20 | 6 | 17 | 19.5 | 20.5 |
| 12" | 2400 | 4 | 15 | 17.5 | 18.5 | 4 | 16 | 18.5 | 19 | 4 | 17 | 19.5 | 19.5 | 6 | 18 | 20.5 | 22 | 6 | 19 | 21.5 | 22.5 |
| 14" | 2600 | 4 | 16 | 18.5 | 19.5 | 4 | 17 | 19.5 | 20 | 4 | 18 | 20.5 | 20.5 | 6 | 19 | 21.5 | 23 | 6 | 20 | 22.5 | 23.5 |
| 16" | 3000 | 4 | 18 | 20.5 | 21.5 | 4 | 19 | 21.5 | 22 | 6 | 20 | 22.5 | 24.5 | 6 | 21 | 23.5 | 25 | 6 | 22 | 24.5 | 25.5 |
| 18" | 4400 | 4 | 20 | 23 | 23.5 | 4 | 21 | 24 | 24 | 6 | 22 | 25 | 26.5 | 6 | 23 | 26 | 27 | 6 | 24 | 27 | 27.5 |
| 20" | 4900 | 4 | 22 | 25 | 25.5 | 4 | 23 | 26 | 26 | 6 | 24 | 27 | 28.5 | 6 | 25 | 28 | 29 | 6 | 26 | 29 | 29.5 |
| 24" | 5800 | 4 | 26 | 29 | 30 | 4 | 27 | 30 | 30.5 | 6 | 28 | 31 | 33 | 6 | 29 | 32 | 33.5 | 6 | 30 | 33 | 34 |
| 30" | 7300 | 4 | 32 | 35 | 36 | 6 | 33 | 36 | 38.5 | 6 | 34 | 37 | 39 | 6 | 35 | 38 | 39.5 | 6 | 36 | 39 | 40 |
| 36" | 8800 | 4 | 38 | 41 | 42 | 6 | 39 | 42 | 44.5 | 6 | 40 | 43 | 45 | 6 | 41 | 44 | 45.5 | 6 | 42 | 45 | 46 |
| 42" | 17000 | 4 | 44 | 47 | 48 | 6 | 45 | 48 | 50.5 | 6 | 46 | 49 | 51 | 6 | 47 | 50 | 51.5 | 6 | 48 | 51 | 52 |
| 48" | 19600 | 4 | 50 | 53 | 54 | 6 | 51 | 54 | 56.5 | 6 | 52 | 55 | 57 | 6 | 53 | 56 | 57.5 | 6 | 54 | 57 | 58 |
| 56" | 22800 | 4 | 58 | 61 | 62 | 6 | 59 | 62 | 64.5 | 6 | 60 | 63 | 65 | 6 | 61 | 64 | 65.5 | 6 | 62 | 65 | 66 |
| 60" | 24500 | 4 | 62 | 65 | 66 | 6 | 63 | 66 | 68.5 | 6 | 64 | 67 | 69 | 6 | 65 | 68 | 69.5 | 6 | 66 | 69 | 70 |
| 66" | 26900 | 4 | 68 | 71 | 71 | 6 | 69 | 72 | 73.5 | 6 | 70 | 73 | 74 | 6 | 71 | 74 | 74.5 | 6 | 72 | 75 | 75 |
| 72" | 29400 | 4 | 74 | 77 | 78 | 6 | 75 | 78 | 80.5 | 6 | 76 | 79 | 81 | 6 | 77 | 80 | 81.5 | 6 | 78 | 81 | 82 |

*W-Dimension is calculated by multiplying (INSULATION OD*0.55), when base is not a WT member.

Applications & Features:

- Accommodates axial travel up to 3" if shoe is offset from supporting steel
- Temperature range from -425 Deg F to 275 Deg F
- Teflon®/2B SS 304 slide plates on shoe and supporting steel on sizes 26" and larger
- Design loads based on a safety factor of 5
- A36 Steel construction
- See technical specification RCS-750
- Test results available upon request
- Steel finish available in galvanized or painted finishes
- Support features high density water blown polyurethane with vapor barrier
- Support constructed in accordance with ASME B31.1, B31.3 and MSS-SP58
- Exposed surfaces of polyurethane are coated with monolar mastic
- Support supplied with structural lateral restraints
- A307 or A193 B7 Plated bolts/studs
- For special applications or for information on other insulation thicknesses or pipe sizes, please contact us.

Ordering Instructions:

To Order, Please Specify:

- Model Number
- Nominal Pipe Size
- Insulation Thickness
- BOP
- Support Length
- Vertical Load
- Lateral & Axial Movements

* See last page of this document for new designation model number construction

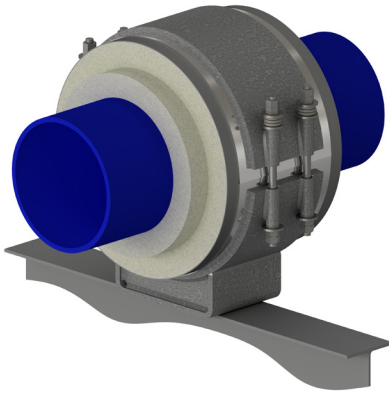
** Information presented on this page subject to change without notice.



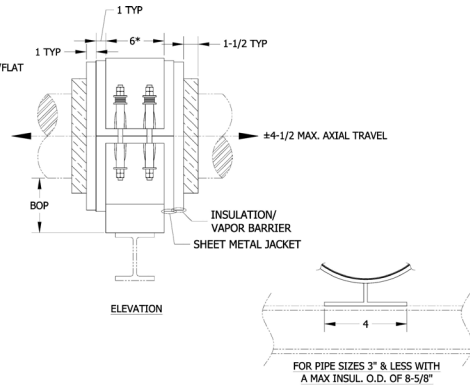
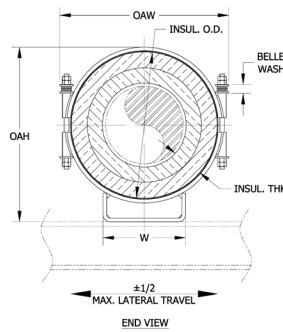
www.rilco.com

CSPF - 8 x 1.5 - 4 - 6 - 1100

Model No. Nominal Pipe Size Insulation Thickness BOP (in) Support Length Vertical Load



NEW DESIGNATION EXAMPLE



* - 12" for pipe sizes 48 & up.
Slide plates required for 26" NPS & up.
All dimensions in inches unless noted.

Do you need special loads or dimensions for this design? Please contact us at (713) 466-4777 or sales@rilco.com.

| PIPE SIZE | VERT LOAD (Lbs) | INSULATION THICKNESS | | | | | | | | | | | | | | | | | | | |
|-----------|-----------------|----------------------|---------------|----------|----------|----------|---------------|----------|----------|----------|---------------|----------|----------|----------|---------------|----------|----------|----------|---------------|----------|----------|
| | | 3-1/2" | | | | 4" | | | | 4-1/2" | | | | 5" | | | | 5-1/2" | | | |
| | | BOP (in) | INSUL OD (in) | OAW (in) | OAH (in) | BOP (in) | INSUL OD (in) | OAW (in) | OAH (in) | BOP (in) | INSUL OD (in) | OAW (in) | OAH (in) | BOP (in) | INSUL OD (in) | OAW (in) | OAH (in) | BOP (in) | INSUL OD (in) | OAW (in) | OAH (in) |
| 1/2" | 60 | 6 | 8.625 | 10.5 | 11.5 | 6 | 9.625 | 11.5 | 12 | 6 | 10.75 | 12.5 | 12.5 | 8 | 11.75 | 13.5 | 15 | 8 | 12.75 | 14.5 | 15.5 |
| 3/4" | 70 | 6 | 8.625 | 10.5 | 11.5 | 6 | 9.625 | 11.5 | 12 | 6 | 10.75 | 12.5 | 12.5 | 8 | 11.75 | 13.5 | 15 | 8 | 12.75 | 14.5 | 15.5 |
| 1" | 90 | 6 | 8.625 | 10.5 | 11.5 | 6 | 9.625 | 11.5 | 12 | 6 | 10.75 | 12.5 | 12.5 | 8 | 11.75 | 13.5 | 15 | 8 | 12.75 | 14.5 | 15.5 |
| 1-1/2" | 140 | 6 | 9.625 | 11.5 | 12.5 | 6 | 10.75 | 12.5 | 13 | 6 | 11.75 | 13.5 | 13.5 | 8 | 12.75 | 14.5 | 16 | 8 | 14 | 16 | 16.5 |
| 2" | 170 | 6 | 9.625 | 11.5 | 12.5 | 6 | 10.75 | 12.5 | 13 | 6 | 11.75 | 13.5 | 13.5 | 8 | 12.75 | 14.5 | 16 | 8 | 14 | 16 | 16.5 |
| 2-1/2" | 260 | 6 | 10.75 | 12.5 | 13.5 | 6 | 11.75 | 13.5 | 14 | 6 | 12.75 | 14.5 | 14.5 | 8 | 14 | 16 | 17 | 8 | 15 | 17 | 17.5 |
| 3" | 310 | 6 | 10.75 | 12.5 | 13.5 | 6 | 11.75 | 13.5 | 14 | 6 | 12.75 | 14.5 | 14.5 | 8 | 14 | 16 | 17.5 | 8 | 15 | 17 | 18 |
| 4" | 400 | 6 | 11.75 | 13.5 | 14.5 | 6 | 12.75 | 14.5 | 15 | 6 | 14 | 16 | 16 | 8 | 15 | 17 | 18.5 | 8 | 16 | 18 | 19 |
| 6" | 590 | 6 | 14 | 16.5 | 17 | 6 | 15 | 17.5 | 17.5 | 6 | 16 | 18.5 | 18 | 8 | 17 | 19.5 | 20.5 | 8 | 18 | 20.5 | 21 |
| 8" | 1100 | 6 | 16 | 18.5 | 19 | 6 | 17 | 19.5 | 19.5 | 8 | 18 | 20.5 | 22 | 8 | 19 | 21.5 | 22.5 | 8 | 20 | 22.5 | 23 |
| 10" | 1300 | 6 | 18 | 20.5 | 21 | 6 | 19 | 21.5 | 21.5 | 8 | 20 | 22.5 | 24 | 8 | 21 | 23.5 | 24.5 | 8 | 22 | 24.5 | 25 |
| 12" | 2400 | 6 | 20 | 22.5 | 23 | 6 | 21 | 23.5 | 23.5 | 8 | 22 | 24.5 | 26 | 8 | 23 | 25.5 | 26.5 | 8 | 24 | 26.5 | 27 |
| 14" | 2600 | 6 | 21 | 23.5 | 24 | 6 | 22 | 24.5 | 24.5 | 8 | 23 | 25.5 | 27 | 8 | 24 | 26.5 | 27.5 | 8 | 25 | 27.5 | 28 |
| 16" | 3000 | 6 | 23 | 25.5 | 26 | 8 | 24 | 26.5 | 28.5 | 8 | 25 | 27.5 | 29 | 8 | 26 | 28.5 | 29.5 | 8 | 27 | 29.5 | 30 |
| 18" | 4400 | 6 | 25 | 28 | 28 | 8 | 26 | 29 | 30.5 | 8 | 27 | 30 | 31 | 8 | 28 | 31 | 31.5 | 8 | 29 | 32 | 32 |
| 20" | 4900 | 6 | 27 | 30 | 30 | 8 | 28 | 31 | 32.5 | 8 | 29 | 32 | 33 | 8 | 30 | 33 | 33.5 | 8 | 31 | 34 | 34 |
| 24" | 5800 | 6 | 31 | 34 | 34.5 | 8 | 32 | 35 | 37 | 8 | 33 | 36 | 37.5 | 8 | 34 | 37 | 38 | 8 | 35 | 38 | 38.5 |
| 30" | 7300 | 8 | 37 | 40 | 42.5 | 8 | 38 | 41 | 43 | 8 | 39 | 42 | 43.5 | 8 | 40 | 43 | 44 | 10 | 41 | 44 | 46.5 |
| 36" | 8800 | 8 | 43 | 46 | 48.5 | 8 | 44 | 47 | 49 | 8 | 45 | 48 | 49.5 | 8 | 46 | 49 | 50 | 10 | 47 | 50 | 52.5 |
| 42" | 17000 | 8 | 49 | 52 | 54.5 | 8 | 50 | 53 | 55 | 8 | 51 | 54 | 55.5 | 8 | 52 | 55 | 56 | 10 | 53 | 56 | 58.5 |
| 48" | 19600 | 8 | 55 | 58 | 60.5 | 8 | 56 | 59 | 61 | 8 | 57 | 60 | 61.5 | 8 | 58 | 61 | 62 | 10 | 59 | 62 | 64.5 |
| 56" | 22800 | 8 | 63 | 66 | 68.5 | 8 | 64 | 67 | 69 | 8 | 65 | 68 | 69.5 | 8 | 66 | 69 | 70 | 10 | 67 | 70 | 72.5 |
| 60" | 24500 | 8 | 67 | 70 | 72.5 | 8 | 68 | 71 | 73 | 8 | 69 | 72 | 73.5 | 8 | 70 | 73 | 74 | 10 | 71 | 74 | 76.5 |
| 66" | 26900 | 8 | 73 | 76 | 77.5 | 8 | 74 | 77 | 78 | 8 | 75 | 78 | 78.5 | 8 | 76 | 79 | 79 | 10 | 77 | 80 | 81.5 |
| 72" | 29400 | 8 | 79 | 82 | 84.5 | 8 | 80 | 83 | 85 | 8 | 81 | 84 | 85.5 | 8 | 82 | 85 | 86 | 10 | 83 | 86 | 88.5 |

*W-Dimension is calculated by multiplying (INSULATION OD*0.55), when base is not a WT member.

Applications & Features:

- Accommodates axial travel up to 3" if shoe is offset from supporting steel
- Temperature range from -425 Deg F to 275 Deg F
- Teflon®/2B SS 304 slide plates on shoe and supporting steel on sizes 26" and larger
- Design loads based on a safety factor of 5
- A36 Steel construction
- See technical specification RCS-750
- Test results available upon request
- Steel finish available in galvanized or painted finishes
- Support features high density water blown polyurethane with vapor barrier
- Support constructed in accordance with ASME B31.1, B31.3 and MSS-SP58
- Exposed surfaces of polyurethane are coated with monolar mastic
- Support supplied with structural lateral restraints
- A307 or A193 B7 Plated bolts/studs
- For special applications or for information on other insulation thicknesses or pipe sizes, please contact us.

Ordering Instructions:

To Order, Please Specify:

- Model Number
- Nominal Pipe Size
- Insulation Thickness
- BOP
- Support Length
- Vertical Load
- Lateral & Axial Movements

* See last page of this document for new designation model number construction

** Information presented on this page subject to change without notice.

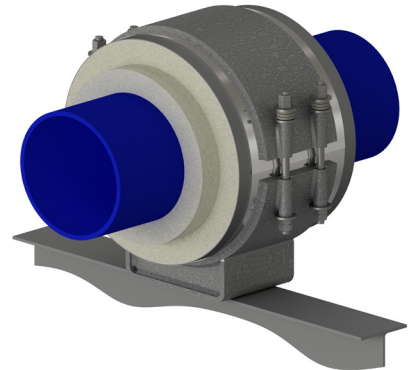
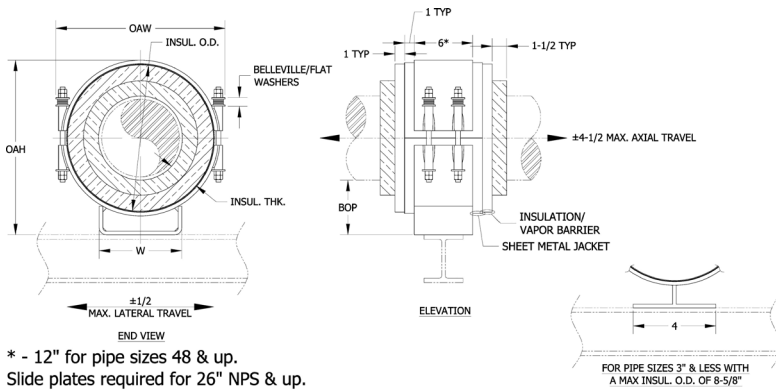


CSPF - 8 x 1.5 - 4 - 6 - 1100

NEW DESIGNATION
EXAMPLE

LEGACY DESIGNATION CS-1000

Model No. Nominal Pipe Size Insulation Thickness BOP Support Length Vertical Load



* - 12" for pipe sizes 48 & up.
Slide plates required for 26" NPS & up.
All dimensions in inches unless noted.

Do you need special loads or dimensions for this design? Please contact us at (713) 466-4777 or sales@rilco.com.

| PIPE SIZE | VERT LOAD (Lbs) | INSULATION THICKNESS | | | | | | | | | | | | | | | | | | | |
|-----------|-----------------|----------------------|---------------|----------|----------|----------|---------------|----------|----------|----------|---------------|----------|----------|----------|---------------|----------|----------|----------|---------------|----------|----------|
| | | 6" | | | | 6-1/2" | | | | 7" | | | | 7-1/2" | | | | 8" | | | |
| | | BOP (in) | INSUL OD (in) | OAW (in) | OAH (in) | BOP (in) | INSUL OD (in) | OAW (in) | OAH (in) | BOP (in) | INSUL OD (in) | OAW (in) | OAH (in) | BOP (in) | INSUL OD (in) | OAW (in) | OAH (in) | BOP (in) | INSUL OD (in) | OAW (in) | OAH (in) |
| 1/2" | 60 | 8 | 14 | 16 | 16 | 8 | 15 | 17 | 16.5 | 10 | 16 | 18 | 19 | 10 | 17 | 19 | 19.5 | 10 | 18 | 20 | 20 |
| 3/4" | 70 | 8 | 14 | 16 | 16 | 8 | 15 | 17 | 16.5 | 10 | 16 | 18 | 19 | 10 | 17 | 19 | 19.5 | 10 | 18 | 20 | 20 |
| 1" | 90 | 8 | 14 | 16 | 16 | 8 | 15 | 17 | 16.5 | 10 | 16 | 18 | 19 | 10 | 17 | 19 | 19.5 | 10 | 18 | 20 | 20 |
| 1-1/2" | 140 | 8 | 15 | 17 | 17 | 8 | 16 | 18 | 17.5 | 10 | 17 | 19 | 20 | 10 | 18 | 20 | 20.5 | 10 | 19 | 21 | 21 |
| 2" | 170 | 8 | 15 | 17 | 17 | 8 | 16 | 18 | 17.5 | 10 | 17 | 19 | 20 | 10 | 18 | 20 | 20.5 | 10 | 19 | 21 | 21 |
| 2-1/2" | 260 | 8 | 16 | 18 | 18 | 8 | 17 | 19 | 18.5 | 10 | 18 | 20 | 21 | 10 | 19 | 21 | 21.5 | 10 | 20 | 22 | 22 |
| 3" | 310 | 8 | 16 | 18 | 18.5 | 8 | 17 | 19 | 19 | 10 | 18 | 20 | 21.5 | 10 | 19 | 21 | 22 | 10 | 20 | 22 | 22.5 |
| 4" | 400 | 8 | 17 | 19 | 19.5 | 8 | 18 | 20 | 20 | 10 | 19 | 21 | 22.5 | 10 | 20 | 22 | 23 | 10 | 21 | 23 | 23.5 |
| 6" | 590 | 8 | 19 | 21.5 | 21.5 | 8 | 20 | 22.5 | 22 | 10 | 21 | 23.5 | 24.5 | 10 | 22 | 24.5 | 25 | 10 | 23 | 25.5 | 25.5 |
| 8" | 1100 | 8 | 21 | 23.5 | 23.5 | 10 | 22 | 24.5 | 26 | 10 | 23 | 25.5 | 26.5 | 10 | 24 | 26.5 | 27 | 10 | 25 | 27.5 | 27.5 |
| 10" | 1300 | 8 | 23 | 25.5 | 25.5 | 10 | 24 | 26.5 | 28 | 10 | 25 | 27.5 | 28.5 | 10 | 26 | 28.5 | 29 | 10 | 27 | 29.5 | 29.5 |
| 12" | 2400 | 8 | 25 | 27.5 | 27.5 | 10 | 26 | 28.5 | 30 | 10 | 27 | 29.5 | 30.5 | 10 | 28 | 30.5 | 31 | 10 | 29 | 31.5 | 31.5 |
| 14" | 2600 | 8 | 26 | 28.5 | 28.5 | 10 | 27 | 29.5 | 31 | 10 | 28 | 30.5 | 31.5 | 10 | 29 | 31.5 | 32 | 10 | 30 | 32.5 | 32.5 |
| 16" | 3000 | 10 | 28 | 30.5 | 32.5 | 10 | 29 | 31.5 | 33 | 10 | 30 | 32.5 | 33.5 | 10 | 31 | 33.5 | 34 | 12 | 32 | 34.5 | 36.5 |
| 18" | 4400 | 10 | 30 | 33 | 34.5 | 10 | 31 | 34 | 35 | 10 | 32 | 35 | 35.5 | 10 | 33 | 36 | 36 | 12 | 34 | 37 | 38.5 |
| 20" | 4900 | 10 | 32 | 35 | 36.5 | 10 | 33 | 36 | 37 | 10 | 34 | 37 | 37.5 | 10 | 35 | 38 | 38 | 12 | 36 | 39 | 40.5 |
| 24" | 5800 | 10 | 36 | 39 | 41 | 10 | 37 | 40 | 41.5 | 10 | 38 | 41 | 42 | 10 | 39 | 42 | 42.5 | 12 | 40 | 43 | 45 |
| 30" | 7300 | 10 | 42 | 45 | 47 | 10 | 43 | 46 | 47.5 | 10 | 44 | 47 | 48 | 12 | 45 | 48 | 50.5 | 12 | 46 | 49 | 51 |
| 36" | 8800 | 10 | 48 | 51 | 53 | 10 | 49 | 52 | 53.5 | 10 | 50 | 53 | 54 | 12 | 51 | 54 | 56.5 | 12 | 52 | 55 | 57 |
| 42" | 17000 | 10 | 54 | 57 | 59 | 10 | 55 | 58 | 59.5 | 10 | 56 | 59 | 60 | 12 | 57 | 60 | 62.5 | 12 | 58 | 61 | 63 |
| 48" | 19600 | 10 | 60 | 63 | 65 | 10 | 61 | 64 | 65.5 | 10 | 62 | 65 | 66 | 12 | 63 | 66 | 68.5 | 12 | 64 | 67 | 69 |
| 56" | 22800 | 10 | 68 | 71 | 73 | 10 | 69 | 72 | 73.5 | 10 | 70 | 73 | 74 | 12 | 71 | 74 | 76.5 | 12 | 72 | 75 | 77 |
| 60" | 24500 | 10 | 72 | 75 | 77 | 10 | 73 | 76 | 77.5 | 10 | 74 | 77 | 78 | 12 | 75 | 78 | 80.5 | 12 | 76 | 79 | 81 |
| 66" | 26900 | 10 | 78 | 81 | 82 | 10 | 79 | 82 | 82.5 | 10 | 80 | 83 | 83 | 12 | 81 | 84 | 85.5 | 12 | 82 | 85 | 86 |
| 72" | 29400 | 10 | 84 | 87 | 89 | 10 | 85 | 88 | 89.5 | 10 | 86 | 89 | 90 | 12 | 87 | 90 | 92.5 | 12 | 88 | 91 | 93 |

*W-Dimension is calculated by multiplying (INSULATION OD*0.55), when base is not a WT member.

Applications & Features:

- Accommodates axial travel up to 3" if shoe is offset from supporting steel
- Temperature range from -425 Deg F to 275 Deg F
- Teflon®/2B SS 304 slide plates on shoe and supporting steel on sizes 26" and larger
- Design loads based on a safety factor of 5
- A36 Steel construction
- See technical specification RCS-750
- Test results available upon request
- Steel finish available in galvanized or painted finishes
- Support features high density water blown polyurethane with vapor barrier
- Support constructed in accordance with ASME B31.1, B31.3 and MSS-SP58
- Exposed surfaces of polyurethane are coated with monolar mastic
- Support supplied with structural lateral restraints
- A307 or A193 B7 Plated bolts/studs
- For special applications or for information on other insulation thicknesses or pipe sizes, please contact us.

Ordering Instructions:

To Order, Please Specify:

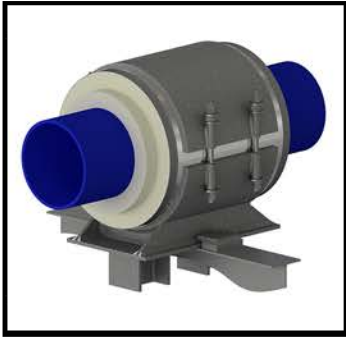
- Model Number
- Nominal Pipe Size
- Insulation Thickness
- BOP
- Support Length
- Vertical Load
- Lateral & Axial Movements

* See last page of this document for new designation model number construction

** Information presented on this page subject to change without notice.



www.rilco.com



CAPF - 4x1.5-4-12-400-140-250

TEMPERATURE CLASSIFICATION

HOT (H) - (typical range 0°F to 1200°F)

COLD (C) - (typical range -450°F to 200°F)

DUAL TEMP (D) - (typical range -450°F to 1200°F)

FUNCTION

SLIDE (S) (for vertically restrained pipe)
i.e. HSCS-3x1.5-4-12-2100

- **SLIDE** (H) (for vertically restrained pipe, high lateral travel)
i.e. HS(H)CS-1x1.5-4-6-225-80

GUIDE (G) (for vertically and laterally restrained pipe)
i.e. HGCS-6x1.5-4-6-1275-450

- **GUIDE** (L) (for vertically and laterally restrained pipe, allows uplift of piping)
i.e. HG(L)CS-1x1.5-4-6-225-80

- **GUIDE** (M) (for vertically and laterally restrained pipe, guided at cradle)
i.e. HG(M)CS-1x1.5-4-6-225-80

ANCHOR (A) (for vertically, laterally and axially restrained pipe)
i.e. HACS-4x1.5-4-6-840-295-1730

HANGING (H) (for vertically restrained pipe)
i.e. HHCS-3x1.5-4-12-2100

RISER (V) (for vertically restrained pipe)
i.e. HVCS-3x1.5-4-12-2100

FLAT (F) (for vertically restrained pipe)
i.e. HFCS-3x1.5-4-12-2100

ROLLER (R) (for vertically restrained pipe)
i.e. HRCS-3x1.5-4-12-2100

INSULATION TYPE

Calcium Silicate (CS)

PyroWrap (PW) (Aspen Aerogels Pyrogel® XT-E)

Polyurethane Foam (PF)

FOAMGLAS® (FG)

CryoWrap (CW) (Aspen Aerogels Cryogel® Z)

