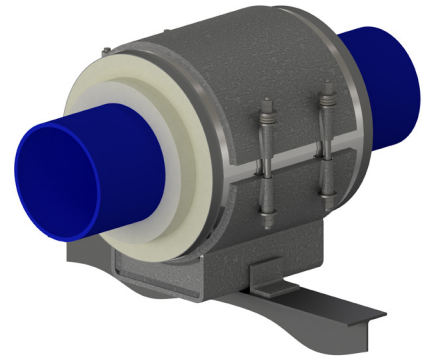
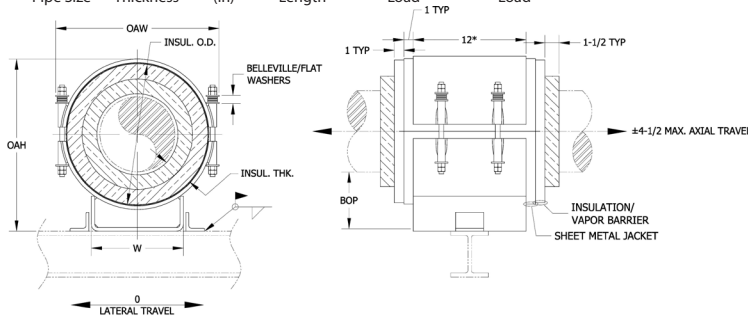


# CG(L)PF - 2 x 1.5 - 4 - 12 - 170 - 60

NEW DESIGNATION  
EXAMPLE

LEGACY DESIGNATION **CG-8000**

Model No.    Nominal Pipe Size    Insulation Thickness    BOP (in)    Support Length    Vertical Load    Lateral Load



\* - 18" for pipe sizes 48 & up.  
Slide plates required for 26" NPS & up.  
All dimensions in inches unless noted.

Do you need special loads or dimensions for this design? Please contact us at (713) 466-4777 or sales@rilco.com.

PIPE SIZE	VERT LOAD (Lbs)	LAT LOAD (Lbs)	INSULATION THICKNESS																			
			1"				1-1/2"				2"				2-1/2"				3"			
			BOP (in)	INSUL OD (in)	OAW (in)	OAH (in)	BOP (in)	INSUL OD (in)	OAW (in)	OAH (in)	BOP (in)	INSUL OD (in)	OAW (in)	OAH (in)	BOP (in)	INSUL OD (in)	OAW (in)	OAH (in)	BOP (in)	INSUL OD (in)	OAW (in)	OAH (in)
1/2"	60	30					4	4	7	7	4	5	7.5	7.5	4	6.625	8.5	8.5	6	7.625	9.5	11
3/4"	70	35					4	4	7	7	4	5	7.5	7.5	4	6.625	8.5	8.5	6	7.625	9.5	11
1"	90	45					4	4.5	7	7.5	4	5.563	8	8	4	6.625	8.5	8.5	6	7.625	9.5	11
1-1/2"	140	70	4	4	7	7.5	4	5	7.5	8	4	6.625	8.5	9	4	7.625	9.5	9.5	6	8.625	10.5	12
2"	170	85	4	4.5	7	8	4	5.563	8	8.5	4	6.625	8.5	9	4	7.625	9.5	9.5	6	8.625	10.5	12
2-1/2"	260	130	4	5	7.5	8.5	4	6.625	8.5	9.5	4	7.625	9.5	10	4	8.625	10.5	10.5	6	9.625	11.5	13
3"	310	155	4	5.56	8	9	4	6.625	8.5	9.5	4	7.625	9.5	10	4	8.625	10.5	10.5	6	9.625	11.5	13
4"	400	200	4	6.625	8.5	10	4	7.625	9.5	10.5	4	8.625	10.5	11	4	9.625	11.5	11.5	6	10.75	12.5	14
6"	590	295	4	8.625	12	12	4	9.625	12.5	12.5	4	10.75	13	13.5	4	11.75	14	14	6	12.75	15	16.5
8"	1100	550	4	10.75	13	14.5	4	11.75	14	15	4	12.75	15	15.5	6	14	16.5	18	6	15	17.5	18.5
10"	1300	650	4	12.75	16.5	16.5	4	14	17.5	17	4	15	18	17.5	6	16	18.5	20	6	17	19.5	20.5
12"	2400	1200	4	15	18	18.5	4	16	18.5	19	4	17	19.5	19.5	6	18	20.5	22	6	19	21.5	22.5
14"	2600	1300	4	16	18.5	19.5	4	17	19.5	20	4	18	20.5	20.5	6	19	21.5	23	6	20	22.5	23.5
16"	3000	1500	4	18	20.5	21.5	4	19	21.5	22	6	20	22.5	24.5	6	21	23.5	25	6	22	24.5	25.5
18"	4400	2200	4	20	23	23.5	4	21	24	24	6	22	25	26.5	6	23	26	27	6	24	27	27.5
20"	4900	2450	4	22	25	25.5	4	23	26	26	6	24	27	28.5	6	25	28	29	6	26	29	29.5
24"	5800	2900	4	26	29	30	4	27	30	30.5	6	28	31	33	6	29	32	33.5	6	30	33	34
30"	7300	3650	4	32	35	36	6	33	36	38.5	6	34	37	39	6	35	38	39.5	6	36	39	40
36"	8800	4400	4	38	41	42	6	39	42	44.5	6	40	43	45	6	41	44	45.5	6	42	45	46
42"	17000	8500	4	44	47	48	6	45	48	50.5	6	46	49	51	6	47	50	51.5	6	48	51	52
48"	19600	9800	4	50	53	54	6	51	54	56.5	6	52	55	57	6	53	56	57.5	6	54	57	58
56"	22800	11400	4	58	61	62	6	59	62	64.5	6	60	63	65	6	61	64	65.5	6	62	65	66
60"	24500	12250	4	62	65	66	6	63	66	68.5	6	64	67	69	6	65	68	69.5	6	66	69	70
66"	26900	13450	4	68	71	71	6	69	72	73.5	6	70	73	74	6	71	74	74.5	6	72	75	75
72"	29400	14700	4	74	77	78	6	75	78	80.5	6	76	79	81	6	77	80	81.5	6	78	81	82

\*W-Dimension is calculated by multiplying (INSULATION OD\*0.65), used only for supports pipe size 6" and larger

## Applications & Features:

- Accommodates axial travel up to 9" if shoe is offset from supporting steel
- Accommodates lateral load up to 50% of actual vertical load
- Temperature range from -425 Deg F to 275 Deg F
- Teflon®/2B SS 304 slide plates on shoe and supporting steel on sizes 26" and larger
- Design loads based on a safety factor of 5
- A36 Steel construction
- See technical specification RCS-750
- Test results available upon request
- Steel finish available in galvanized or painted finishes
- Support features high density water blown polyurethane with vapor barrier
- Support constructed in accordance with ASME B31.1, B31.3 and MSS-SP58
- Exposed surfaces of polyurethane are coated with monolar mastic
- Support supplied with structural lateral restraints
- A307 or A193 B7 Plated bolts/studs
- For special applications or for information on other insulation thicknesses or pipe sizes, please contact us.

## Ordering Instructions:

To Order, Please Specify:

- Model Number
- Nominal Pipe Size
- Insulation Thickness
- BOP
- Support Length
- Vertical Load
- Lateral & Axial Movements

\* See last page of this document for new designation model number construction

\*\* Information presented on this page subject to change without notice.



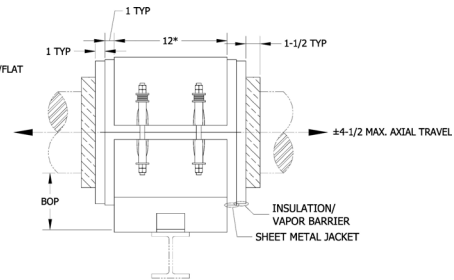
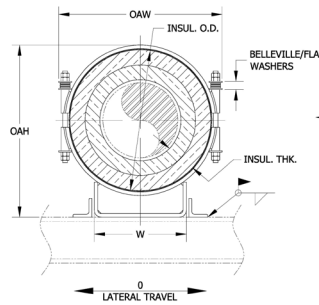
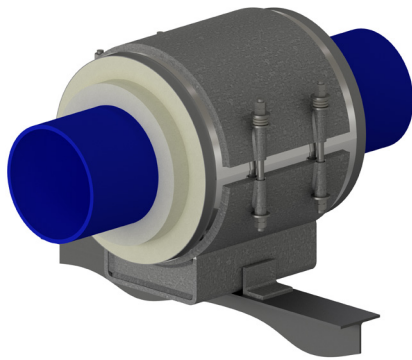
www.rilco.com

# CG(L)PF - 2 x 1.5 - 4 - 12 - 170 - 60

NEW DESIGNATION  
EXAMPLE

LEGACY DESIGNATION **CG-8000**

Model No.    Nominal Pipe Size    Insulation Thickness    BOP (in)    Support Length    Vertical Load    Lateral Load



\* - 18" for pipe sizes 48 & up.  
Slide plates required for 26" NPS & up.  
All dimensions in inches unless noted.

**Do you need special loads or dimensions for this design? Please contact us at (713) 466-4777 or sales@rilco.com.**

PIPE SIZE	VERT LOAD (Lbs)	LAT LOAD (Lbs)	INSULATION THICKNESS																			
			3-1/2"				4"				4-1/2"				5"				5-1/2"			
			BOP (in)	INSUL OD (in)	OAW (in)	OAH (in)	BOP (in)	INSUL OD (in)	OAW (in)	OAH (in)	BOP (in)	INSUL OD (in)	OAW (in)	OAH (in)	BOP (in)	INSUL OD (in)	OAW (in)	OAH (in)	BOP (in)	INSUL OD (in)	OAW (in)	OAH (in)
1/2"	60	30	6	8.625	10.5	11.5	6	9.625	11.5	12	6	10.75	12.5	12.5	8	11.75	13.5	15	8	12.75	14.5	15.5
3/4"	70	35	6	8.625	10.5	11.5	6	9.625	11.5	12	6	10.75	12.5	12.5	8	11.75	13.5	15	8	12.75	14.5	15.5
1"	90	45	6	8.625	10.5	11.5	6	9.625	11.5	12	6	10.75	12.5	12.5	8	11.75	13.5	15	8	12.75	14.5	15.5
1-1/2"	140	70	6	9.625	11.5	12.5	6	10.75	12.5	13	6	11.75	13.5	13.5	8	12.75	14.5	16	8	14	16	16.5
2"	170	85	6	9.625	11.5	12.5	6	10.75	12.5	13	6	11.75	13.5	13.5	8	12.75	14.5	16	8	14	16	16.5
2-1/2"	260	130	6	10.75	12.5	13.5	6	11.75	13.5	14	6	12.75	14.5	14.5	8	14	16	17	8	15	17	17.5
3"	310	155	6	10.75	12.5	13.5	6	11.75	13.5	14	6	12.75	14.5	14.5	8	14	16	17.5	8	15	17	18
4"	400	200	6	11.75	13.5	14.5	6	12.75	14.5	15	6	14	16	16	8	15	17	18.5	8	16	18	19
6"	590	295	6	14	16.5	17	6	15	17.5	17.5	6	16	18.5	18	8	17	19.5	20.5	8	18	20.5	21
8"	1100	550	6	16	18.5	19	6	17	19.5	19.5	8	18	20.5	22	8	19	21.5	22.5	8	20	22.5	23
10"	1300	650	6	18	20.5	21	6	19	21.5	21.5	8	20	22.5	24	8	21	23.5	24.5	8	22	24.5	25
12"	2400	1200	6	20	22.5	23	6	21	23.5	23.5	8	22	24.5	26	8	23	25.5	26.5	8	24	26.5	27
14"	2600	1300	6	21	23.5	24	6	22	24.5	24.5	8	23	25.5	27	8	24	26.5	27.5	8	25	27.5	28
16"	3000	1500	6	23	25.5	26	8	24	26.5	28.5	8	25	27.5	29	8	26	28.5	29.5	8	27	29.5	30
18"	4400	2200	6	25	28	28	8	26	29	30.5	8	27	30	31	8	28	31	31.5	8	29	32	32
20"	4900	2450	6	27	30	30	8	28	31	32.5	8	29	32	33	8	30	33	33.5	8	31	34	34
24"	5800	2900	6	31	34	34.5	8	32	35	37	8	33	36	37.5	8	34	37	38	8	35	38	38.5
30"	7300	3650	8	37	40	42.5	8	38	41	43	8	39	42	43.5	8	40	43	44	10	41	44	46.5
36"	8800	4400	8	43	46	48.5	8	44	47	49	8	45	48	49.5	8	46	49	50	10	47	50	52.5
42"	17000	8500	8	49	52	54.5	8	50	53	55	8	51	54	55.5	8	52	55	56	10	53	56	58.5
48"	19600	9800	8	55	58	60.5	8	56	59	61	8	57	60	61.5	8	58	61	62	10	59	62	64.5
56"	22800	11400	8	63	66	68.5	8	64	67	69	8	65	68	69.5	8	66	69	70	10	67	70	72.5
60"	24500	12250	8	67	70	72.5	8	68	71	73	8	69	72	73.5	8	70	73	74	10	71	74	76.5
66"	26900	13450	8	73	76	77.5	8	74	77	78	8	75	78	78.5	8	76	79	79	10	77	80	81.5
72"	29400	14700	8	79	82	84.5	8	80	83	85	8	81	84	85.5	8	82	85	86	10	83	86	88.5

\*W-Dimension is calculated by multiplying (INSULATION OD\*0.65), used only for supports pipe size 6" and larger

### Applications & Features:

- Accommodates axial travel up to 9" if shoe is offset from supporting steel
- Accommodates lateral load up to 50% of actual vertical load
- Temperature range from -425 Deg F to 275 Deg F
- Teflon®/2B SS 304 slide plates on shoe and supporting steel on sizes 26" and larger
- Design loads based on a safety factor of 5
- A36 Steel construction
- See technical specification RCS-750
- Test results available upon request
- Steel finish available in galvanized or painted finishes
- Support features high density water blown polyurethane with vapor barrier
- Support constructed in accordance with ASME B31.1, B31.3 and MSS-SP58
- Exposed surfaces of polyurethane are coated with monolar mastic
- Support supplied with structural lateral restraints
- A307 or A193 B7 Plated bolts/studs
- For special applications or for information on other insulation thicknesses or pipe sizes, please contact us.

### Ordering Instructions:

To Order, Please Specify:

- Model Number
- Nominal Pipe Size
- Insulation Thickness
- BOP
- Support Length
- Vertical Load
- Lateral & Axial Movements

\* See last page of this document for new designation model number construction

\*\* Information presented on this page subject to change without notice.

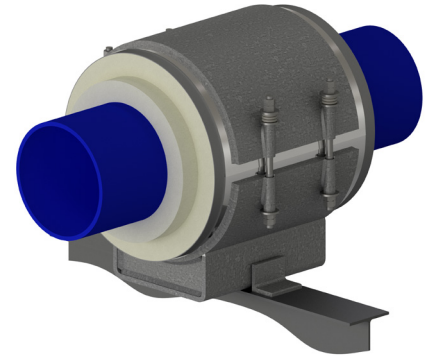
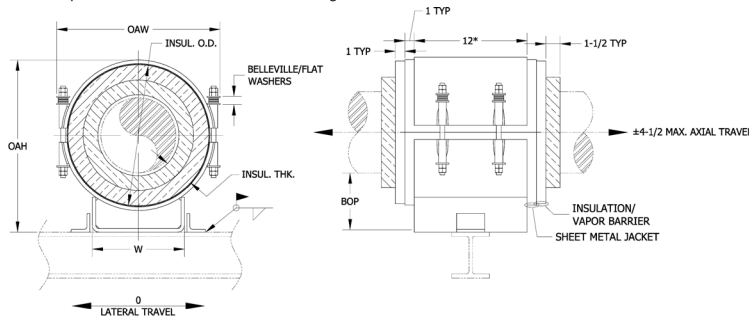


# CG(L)PF - 2 x 1.5 - 4 - 12 - 170 - 60

NEW DESIGNATION  
EXAMPLE

LEGACY DESIGNATION **CG-8000**

Model No. Nominal Pipe Size Insulation Thickness BOP (in) Support Length Vertical Load Lateral Load



\* - 18" for pipe sizes 48 & up.  
Slide plates required for 26" NPS & up.  
All dimensions in inches unless noted.

Do you need special loads or dimensions for this design? Please contact us at (713) 466-4777 or sales@rilco.com.

PIPE SIZE	VERT LOAD (Lbs)	LAT LOAD (Lbs)	INSULATION THICKNESS																			
			6"				6-1/2"				7"				7-1/2"				8"			
			BOP (in)	INSUL OD (in)	OAW (in)	OAH (in)	BOP (in)	INSUL OD (in)	OAW (in)	OAH (in)	BOP (in)	INSUL OD (in)	OAW (in)	OAH (in)	BOP (in)	INSUL OD (in)	OAW (in)	OAH (in)	BOP (in)	INSUL OD (in)	OAW (in)	OAH (in)
1/2"	60	30	8	14	16	16	8	15	17	16.5	10	16	18	19	10	17	19	19.5	10	18	20	20
3/4"	70	35	8	14	16	16	8	15	17	16.5	10	16	18	19	10	17	19	19.5	10	18	20	20
1"	90	45	8	14	16	16	8	15	17	16.5	10	16	18	19	10	17	19	19.5	10	18	20	20
1-1/2"	140	70	8	15	17	17	8	16	18	17.5	10	17	19	20	10	18	20	20.5	10	19	21	21
2"	170	85	8	15	17	17	8	16	18	17.5	10	17	19	20	10	18	20	20.5	10	19	21	21
2-1/2"	260	130	8	16	18	18	8	17	19	18.5	10	18	20	21	10	19	21	21.5	10	20	22	22
3"	310	155	8	16	18	18.5	8	17	19	19	10	18	20	21.5	10	19	21	22	10	20	22	22.5
4"	400	200	8	17	19	19.5	8	18	20	20	10	19	21	22.5	10	20	22	23	10	21	23	23.5
6"	590	295	8	19	21.5	21.5	8	20	22.5	22	10	21	23.5	24.5	10	22	24.5	25	10	23	25.5	25.5
8"	1100	550	8	21	23.5	23.5	10	22	24.5	26	10	23	25.5	26.5	10	24	26.5	27	10	25	27.5	27.5
10"	1300	650	8	23	25.5	25.5	10	24	26.5	28	10	25	27.5	28.5	10	26	28.5	29	10	27	29.5	29.5
12"	2400	1200	8	25	27.5	27.5	10	26	28.5	30	10	27	29.5	30.5	10	28	30.5	31	10	29	31.5	31.5
14"	2600	1300	8	26	28.5	28.5	10	27	29.5	31	10	28	30.5	31.5	10	29	31.5	32	10	30	32.5	32.5
16"	3000	1500	10	28	30.5	32.5	10	29	31.5	33	10	30	32.5	33.5	10	31	33.5	34	12	32	34.5	36.5
18"	4400	2200	10	30	33	34.5	10	31	34	35	10	32	35	35.5	10	33	36	36	12	34	37	38.5
20"	4900	2450	10	32	35	36.5	10	33	36	37	10	34	37	37.5	10	35	38	38	12	36	39	40.5
24"	5800	2900	10	36	39	41	10	37	40	41.5	10	38	41	42	10	39	42	42.5	12	40	43	45
30"	7300	3650	10	42	45	47	10	43	46	47.5	10	44	47	48	12	45	48	50.5	12	46	49	51
36"	8800	4400	10	48	51	53	10	49	52	53.5	10	50	53	54	12	51	54	56.5	12	52	55	57
42"	17000	8500	10	54	57	59	10	55	58	59.5	10	56	59	60	12	57	60	62.5	12	58	61	63
48"	19600	9800	10	60	63	65	10	61	64	65.5	10	62	65	66	12	63	66	68.5	12	64	67	69
56"	22800	11400	10	68	71	73	10	69	72	73.5	10	70	73	74	12	71	74	76.5	12	72	75	77
60"	24500	12250	10	72	75	77	10	73	76	77.5	10	74	77	78	12	75	78	80.5	12	76	79	81
66"	26900	13450	10	78	81	82	10	79	82	82.5	10	80	83	83	12	81	84	85.5	12	82	85	86
72"	29400	14700	10	84	87	89	10	85	88	89.5	10	86	89	90	12	87	90	92.5	12	88	91	93

\*W-Dimension is calculated by multiplying (INSULATION OD\*0.65), used only for supports pipe size 6" and larger

### Applications & Features:

- Accommodates axial travel up to 9" if shoe is offset from supporting steel
- Accommodates lateral load up to 50% of actual vertical load
- Temperature range from -425 Deg F to 275 Deg F
- Teflon®/2B SS 304 slide plates on shoe and supporting steel on sizes 26" and larger
- Design loads based on a safety factor of 5
- A36 Steel construction
- See technical specification RCS-750
- Test results available upon request
- Steel finish available in galvanized or painted finishes
- Support features high density water blown polyurethane with vapor barrier
- Support constructed in accordance with ASME B31.1, B31.3 and MSS-SP58
- Exposed surfaces of polyurethane are coated with monolar mastic
- Support supplied with structural lateral restraints
- A307 or A193 B7 Plated bolts/studs
- For special applications or for information on other insulation thicknesses or pipe sizes, please contact us.

### Ordering Instructions:

To Order, Please Specify:

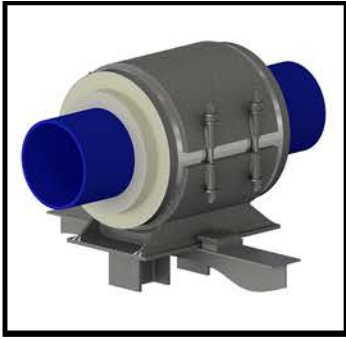
- Model Number
- Nominal Pipe Size
- Insulation Thickness
- BOP
- Support Length
- Vertical Load
- Lateral & Axial Movements

\* See last page of this document for new designation model number construction

\*\* Information presented on this page subject to change without notice.



www.rilco.com



# CAPF - 4x1.5-4-12-400-140-250

## TEMPERATURE CLASSIFICATION

HOT (H) - (typical range 0°F to 1200°F)

COLD (C) - (typical range -450°F to 200°F)

DUAL TEMP (D) - (typical range -450°F to 1200°F)

## FUNCTION

**SLIDE** (S) (for vertically restrained pipe)  
i.e. HSCS-3x1.5-4-12-2100

- **SLIDE** (H) (for vertically restrained pipe, high lateral travel)  
i.e. HS(H)CS-1x1.5-4-6-225-80

**GUIDE** (G) (for vertically and laterally restrained pipe)  
i.e. HGCS-6x1.5-4-6-1275-450

- **GUIDE** (L) (for vertically and laterally restrained pipe, allows uplift of piping)  
i.e. HG(L)CS-1x1.5-4-6-225-80
- **GUIDE** (M) (for vertically and laterally restrained pipe, guided at cradle)  
i.e. HG(M)CS-1x1.5-4-6-225-80

**ANCHOR** (A) (for vertically, laterally and axially restrained pipe)  
i.e. HACS-4x1.5-4-6-840-295-1730

**HANGING** (H) (for vertically restrained pipe)  
i.e. HHCS-3x1.5-4-12-2100

**RISER** (V) (for vertically restrained pipe)  
i.e. HVCS-3x1.5-4-12-2100

**FLAT** (F) (for vertically restrained pipe)  
i.e. HFCS-3x1.5-4-12-2100

**ROLLER** (R) (for vertically restrained pipe)  
i.e. HRCS-3x1.5-4-12-2100

## INSULATION TYPE

Calcium Silicate (CS)

PyroWrap (PW) (Aspen Aerogels Pyrogel® XT-E)

Polyurethane Foam (PF)

FOAMGLAS® (FG)

CryoWrap (CW) (Aspen Aerogels Cryogel® Z)

