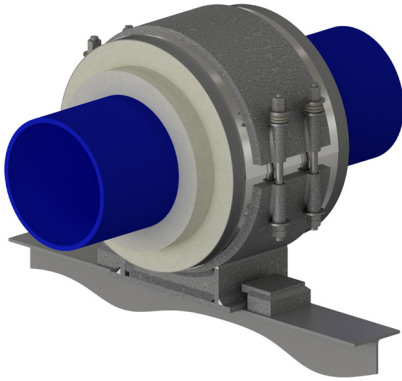
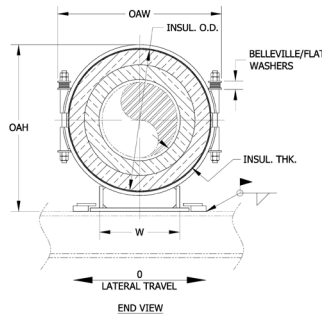


CGPF - 8 x 1.5 - 4 - 6 - 2400 - 840

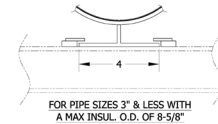
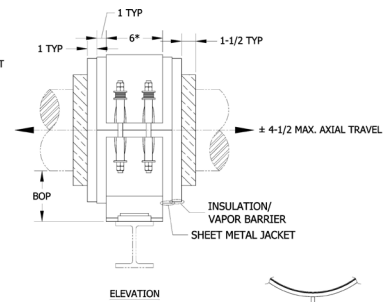
Model No. Nominal Pipe Size Insulation Thickness BOP (in) Support Length Vertical Load Lateral Load



NEW DESIGNATION EXAMPLE



LEGACY DESIGNATION CG-3100



* - 12" for pipe sizes 48 & up.
Slide plates required for 26" NPS & up.
All dimensions in inches unless noted.

Do you need special loads or dimensions for this design? Please contact us at (713) 466-4777 or sales@rilco.com.

PIPE SIZE	VERT LOAD (Lbs)	LAT LOAD (Lbs)	INSULATION THICKNESS																			
			1"				1-1/2"				2"				2-1/2"				3"			
			BOP (in)	INSUL OD (in)	OAW (in)	OAH (in)	BOP (in)	INSUL OD (in)	OAW (in)	OAH (in)	BOP (in)	INSUL OD (in)	OAW (in)	OAH (in)	BOP (in)	INSUL OD (in)	OAW (in)	OAH (in)	BOP (in)	INSUL OD (in)	OAW (in)	OAH (in)
1/2"	90	45	4	2.875	4.5	6.5	4	4	6	7	4	5	7	7.5	4	6.625	8.5	8.5	6	7.625	9.5	11
3/4"	110	55	4	2.875	4.5	6.5	4	4	6	7	4	5	7	7.5	4	6.625	8.5	8.5	6	7.625	9.5	11
1"	140	70	4	3.5	5.5	7	4	4.5	6.5	7.5	4	5.563	7.5	8	4	6.625	8.5	8.5	6	7.625	9.5	11
1-1/2"	210	105	4	4	6	7.5	4	5	7	8	4	6.625	8.5	9	4	7.625	9.5	9.5	6	8.625	10.5	12
2"	260	130	4	4.5	6.5	8	4	5.563	7.5	8.5	4	6.625	8.5	9	4	7.625	9.5	9.5	6	8.625	10.5	12
2-1/2"	390	195	4	5	7	8.5	4	6.625	8.5	9.5	4	7.625	9.5	10	4	8.625	10.5	10.5	6	9.625	11.5	13
3"	470	235	4	5.56	7.5	9	4	6.625	8.5	9.5	4	7.625	9.5	10	4	8.625	10.5	10.5	6	9.625	11.5	13
4"	610	305	4	6.625	8.5	10	4	7.625	9.5	10.5	4	8.625	10.5	11	4	9.625	11.5	11.5	6	10.75	12.5	14
6"	1340	670	4	8.625	11	12	4	9.625	12	12.5	4	10.75	13	13.5	4	11.75	14	14	6	12.75	15	16.5
8"	2400	1200	4	10.75	13	14.5	4	11.75	14	15	4	12.75	15	15.5	6	14	16.5	18	6	15	17.5	18.5
10"	3100	1550	4	12.75	15	16.5	4	14	16.5	17	4	15	17.5	17.5	6	16	18.5	20	6	17	19.5	20.5
12"	6000	3000	4	15	17.5	18.5	4	16	18.5	19	4	17	19.5	19.5	6	18	20.5	22	6	19	21.5	22.5
14"	6600	3300	4	16	18.5	19.5	4	17	19.5	20	4	18	20.5	20.5	6	19	21.5	23	6	20	22.5	23.5
16"	7600	3800	4	18	20.5	21.5	4	19	21.5	22	6	20	22.5	24.5	6	21	23.5	25	6	22	24.5	25.5
18"	8500	4250	4	20	23	23.5	4	21	24	24	6	22	25	26.5	6	23	26	27	6	24	27	27.5
20"	9500	4750	4	22	25	25.5	4	23	26	26	6	24	27	28.5	6	25	28	29	6	26	29	29.5
24"	17700	8850	4	26	29	30	4	27	30	30.5	6	28	31	33	6	29	32	33.5	6	30	33	34
30"	22100	11050	4	32	35	36	6	33	36	38.5	6	34	37	39	6	35	38	39.5	6	36	39	40
36"	26500	13250	4	38	41	42	6	39	42	44.5	6	40	43	45	6	41	44	45.5	6	42	45	46
42"	31000	15500	4	44	47	48	6	45	48	50.5	6	46	49	51	6	47	50	51.5	6	48	51	52
48"	34600	17300	4	50	53	54	6	51	54	56.5	6	52	55	57	6	53	56	57.5	6	54	57	58
56"	40400	20200	4	58	61	62	6	59	62	64.5	6	60	63	65	6	61	64	65.5	6	62	65	66
60"	43300	21650	4	62	65	66	6	63	66	68.5	6	64	67	69	6	65	68	69.5	6	66	69	70
66"	47600	23800	4	68	71	71	6	69	72	73.5	6	70	73	74	6	71	74	74.5	6	72	75	75
72"	52000	26000	4	74	77	78	6	75	78	80.5	6	76	79	81	6	77	80	81.5	6	78	81	82

*W-Dimension is calculated by multiplying (INSULATION OD*0.65), used only for supports pipe size 6" and larger

Applications & Features:

- Accommodates axial travel up to 3" if shoe is offset from supporting steel
- Accommodates lateral load up to 50% of actual vertical load
- Temperature range from -425 Deg F to 275 Deg F
- Teflon®/2B SS 304 slide plates on shoe and supporting steel on sizes 26" and larger
- Design loads based on a safety factor of 5
- A36 Steel construction
- See technical specification RCS-750
- Test results available upon request
- Steel finish available in galvanized or painted finishes
- Support features high density water blown polyurethane with vapor barrier
- Support constructed in accordance with ASME B31.1, B31.3 and MSS-SP58
- Exposed surfaces of polyurethane are coated with monolar mastic
- Support supplied with structural lateral restraints
- A307 or A193 B7 Plated bolts/studs
- For special applications or for information on other insulation thicknesses or pipe sizes, please contact us.

Ordering Instructions:

To Order, Please Specify:

- Model Number
- Nominal Pipe Size
- Insulation Thickness
- BOP
- Support Length
- Vertical Load
- Lateral & Axial Movements

* See last page of this document for new designation model number construction

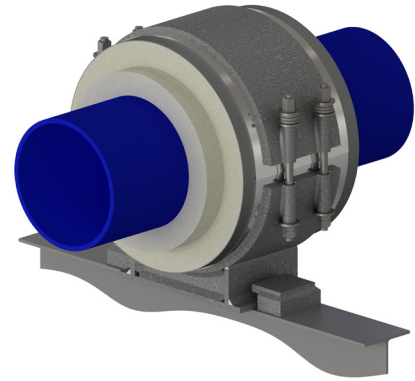
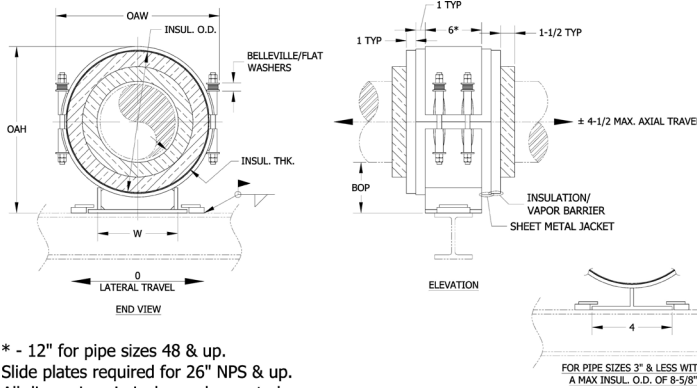
** Information presented on this page subject to change without notice.

CGPF - 8 x 1.5 - 4 - 6 - 2400 - 840

NEW DESIGNATION
EXAMPLE

LEGACY DESIGNATION **CG-3100**

Model No. Nominal Pipe Size Insulation Thickness BOP (in) Support Length Vertical Load Lateral Load



* - 12" for pipe sizes 48 & up.
Slide plates required for 26" NPS & up.
All dimensions in inches unless noted.

Do you need special loads or dimensions for this design? Please contact us at (713) 466-4777 or sales@rilco.com.

PIPE SIZE	VERT LOAD (Lbs)	LAT LOAD (Lbs)	INSULATION THICKNESS																			
			3-1/2"				4"				4-1/2"				5"				5-1/2"			
			BOP (in)	INSUL OD (in)	OAW (in)	OAH (in)	BOP (in)	INSUL OD (in)	OAW (in)	OAH (in)	BOP (in)	INSUL OD (in)	OAW (in)	OAH (in)	BOP (in)	INSUL OD (in)	OAW (in)	OAH (in)	BOP (in)	INSUL OD (in)	OAW (in)	OAH (in)
1/2"	90	45	6	8.625	10.5	11.5	6	9.625	11.5	12	6	10.75	12.5	12.5	8	11.75	13.5	15	8	12.75	14.5	15.5
3/4"	110	55	6	8.625	10.5	11.5	6	9.625	11.5	12	6	10.75	12.5	12.5	8	11.75	13.5	15	8	12.75	14.5	15.5
1"	140	70	6	8.625	10.5	11.5	6	9.625	11.5	12	6	10.75	12.5	12.5	8	11.75	13.5	15	8	12.75	14.5	15.5
1-1/2"	210	105	6	9.625	11.5	12.5	6	10.75	12.5	13	6	11.75	13.5	13.5	8	12.75	14.5	16	8	14	16	16.5
2"	260	130	6	9.625	11.5	12.5	6	10.75	12.5	13	6	11.75	13.5	13.5	8	12.75	14.5	16	8	14	16	16.5
2-1/2"	390	195	6	10.75	12.5	13.5	6	11.75	13.5	14	6	12.75	14.5	14.5	8	14	16	17	8	15	17	17.5
3"	470	235	6	10.75	12.5	13.5	6	11.75	13.5	14	6	12.75	14.5	14.5	8	14	16	17.5	8	15	17	18
4"	610	305	6	11.75	13.5	14.5	6	12.75	14.5	15	6	14	16	16	8	15	17	18.5	8	16	18	19
6"	1340	670	6	14	16.5	17	6	15	17.5	17.5	6	16	18.5	18	8	17	19.5	20.5	8	18	20.5	21
8"	2400	1200	6	16	18.5	19	6	17	19.5	19.5	8	18	20.5	22	8	19	21.5	22.5	8	20	22.5	23
10"	3100	1550	6	18	20.5	21	6	19	21.5	21.5	8	20	22.5	24	8	21	23.5	24.5	8	22	24.5	25
12"	6000	3000	6	20	22.5	23	6	21	23.5	23.5	8	22	24.5	26	8	23	25.5	26.5	8	24	26.5	27
14"	6600	3300	6	21	23.5	24	6	22	24.5	24.5	8	23	25.5	27	8	24	26.5	27.5	8	25	27.5	28
16"	7600	3800	6	23	25.5	26	8	24	26.5	28.5	8	25	27.5	29	8	26	28.5	29.5	8	27	29.5	30
18"	8500	4250	6	25	28	28	8	26	29	30.5	8	27	30	31	8	28	31	31.5	8	29	32	32
20"	9500	4750	6	27	30	30	8	28	31	32.5	8	29	32	33	8	30	33	33.5	8	31	34	34
24"	17700	8850	6	31	34	34.5	8	32	35	37	8	33	36	37.5	8	34	37	38	8	35	38	38.5
30"	22100	11050	8	37	40	42.5	8	38	41	43	8	39	42	43.5	8	40	43	44	10	41	44	46.5
36"	26500	13250	8	43	46	48.5	8	44	47	49	8	45	48	49.5	8	46	49	50	10	47	50	52.5
42"	31000	15500	8	49	52	54.5	8	50	53	55	8	51	54	55.5	8	52	55	56	10	53	56	58.5
48"	34600	17300	8	55	58	60.5	8	56	59	61	8	57	60	61.5	8	58	61	62	10	59	62	64.5
56"	40400	20200	8	63	66	68.5	8	64	67	69	8	65	68	69.5	8	66	69	70	10	67	70	72.5
60"	43300	21650	8	67	70	72.5	8	68	71	73	8	69	72	73.5	8	70	73	74	10	71	74	76.5
66"	47600	23800	8	73	76	77.5	8	74	77	78	8	75	78	78.5	8	76	79	79	10	77	80	81.5
72"	52000	26000	8	79	82	84.5	8	80	83	85	8	81	84	85.5	8	82	85	86	10	83	86	88.5

*W-Dimension is calculated by multiplying (INSULATION OD*0.65), used only for supports pipe size 6" and larger

Applications & Features:

- Accommodates axial travel up to 3" if shoe is offset from supporting steel
- Accommodates lateral load up to 50% of actual vertical load
- Temperature range from -425 Deg F to 275 Deg F
- Teflon®/2B SS 304 slide plates on shoe and supporting steel on sizes 26" and larger
- Design loads based on a safety factor of 5
- A36 Steel construction
- See technical specification RCS-750
- Test results available upon request
- Steel finish available in galvanized or painted finishes
- Support features high density water blown polyurethane with vapor barrier
- Support constructed in accordance with ASME B31.1, B31.3 and MSS-SP58
- Exposed surfaces of polyurethane are coated with monolar mastic
- Support supplied with structural lateral restraints
- A307 or A193 B7 Plated bolts/studs
- For special applications or for information on other insulation thicknesses or pipe sizes, please contact us.

Ordering Instructions:

To Order, Please Specify:

- Model Number
- Nominal Pipe Size
- Insulation Thickness
- BOP
- Support Length
- Vertical Load
- Lateral & Axial Movements

* See last page of this document for new designation model number construction

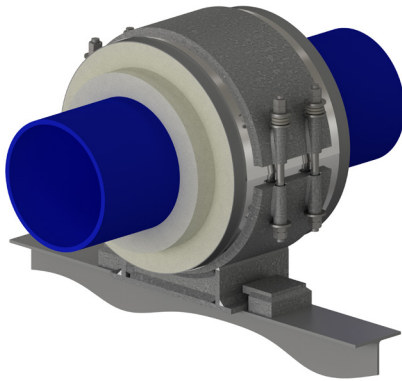
** Information presented on this page subject to change without notice.



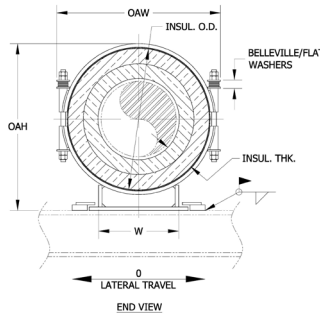
www.rilco.com

CGPF - 8 x 1.5 - 4 - 6 - 2400 - 840

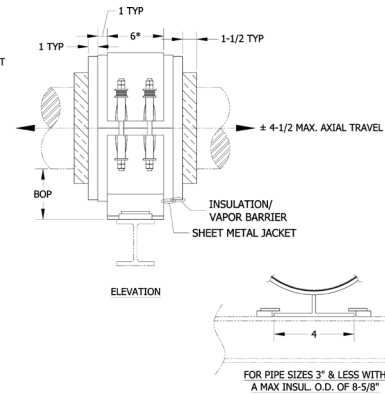
Model No. Nominal Pipe Size Insulation Thickness BOP (in) Support Length Vertical Load Lateral Load



NEW DESIGNATION EXAMPLE



LEGACY DESIGNATION CG-3100



* - 12" for pipe sizes 48 & up.
Slide plates required for 26" NPS & up.
All dimensions in inches unless noted.

Do you need special loads or dimensions for this design? Please contact us at (713) 466-4777 or sales@rilco.com.

PIPE SIZE	VERT LOAD (lbs)	LAT LOAD (lbs)	INSULATION THICKNESS																			
			6"				6-1/2"				7"				7-1/2"				8"			
			BOP (in)	INSUL OD (in)	OAW (in)	OAH (in)	BOP (in)	INSUL OD (in)	OAW (in)	OAH (in)	BOP (in)	INSUL OD (in)	OAW (in)	OAH (in)	BOP (in)	INSUL OD (in)	OAW (in)	OAH (in)	BOP (in)	INSUL OD (in)	OAW (in)	OAH (in)
1/2"	90	45	8	14	16	16	8	15	17	16.5	10	16	18	19	10	17	19	19.5	10	18	20	20
3/4"	110	55	8	14	16	16	8	15	17	16.5	10	16	18	19	10	17	19	19.5	10	18	20	20
1"	140	70	8	14	16	16	8	15	17	16.5	10	16	18	19	10	17	19	19.5	10	18	20	20
1-1/2"	210	105	8	15	17	17	8	16	18	17.5	10	17	19	20	10	18	20	20.5	10	19	21	21
2"	260	130	8	15	17	17	8	16	18	17.5	10	17	19	20	10	18	20	20.5	10	19	21	21
2-1/2"	390	195	8	16	18	18	8	17	19	18.5	10	18	20	21	10	19	21	21.5	10	20	22	22
3"	470	235	8	16	18	18.5	8	17	19	19	10	18	20	21.5	10	19	21	22	10	20	22	22.5
4"	610	305	8	17	19	19.5	8	18	20	20	10	19	21	22.5	10	20	22	23	10	21	23	23.5
6"	1340	670	8	19	21.5	21.5	8	20	22.5	22	10	21	23.5	24.5	10	22	24.5	25	10	23	25.5	25.5
8"	2400	1200	8	21	23.5	23.5	10	22	24.5	26	10	23	25.5	26.5	10	24	26.5	27	10	25	27.5	27.5
10"	3100	1550	8	23	25.5	25.5	10	24	26.5	28	10	25	27.5	28.5	10	26	28.5	29	10	27	29.5	29.5
12"	6000	3000	8	25	27.5	27.5	10	26	28.5	30	10	27	29.5	30.5	10	28	30.5	31	10	29	31.5	31.5
14"	6600	3300	8	26	28.5	28.5	10	27	29.5	31	10	28	30.5	31.5	10	29	31.5	32	10	30	32.5	32.5
16"	7600	3800	10	28	30.5	32.5	10	29	31.5	33	10	30	32.5	33.5	10	31	33.5	34	12	32	34.5	36.5
18"	8500	4250	10	30	33	34.5	10	31	34	35	10	32	35	35.5	10	33	36	36	12	34	37	38.5
20"	9500	4750	10	32	35	36.5	10	33	36	37	10	34	37	37.5	10	35	38	38	12	36	39	40.5
24"	17700	8850	10	36	39	41	10	37	40	41.5	10	38	41	42	10	39	42	42.5	12	40	43	45
30"	22100	11050	10	42	45	47	10	43	46	47.5	10	44	47	48	12	45	48	50.5	12	46	49	51
36"	26500	13250	10	48	51	53	10	49	52	53.5	10	50	53	54	12	51	54	56.5	12	52	55	57
42"	31000	15500	10	54	57	59	10	55	58	59.5	10	56	59	60	12	57	60	62.5	12	58	61	63
48"	34600	17300	10	60	63	65	10	61	64	65.5	10	62	65	66	12	63	66	68.5	12	64	67	69
56"	40400	20200	10	68	71	73	10	69	72	73.5	10	70	73	74	12	71	74	76.5	12	72	75	77
60"	43300	21650	10	72	75	77	10	73	76	77.5	10	74	77	78	12	75	78	80.5	12	76	79	81
66"	47600	23800	10	78	81	82	10	79	82	82.5	10	80	83	83	12	81	84	85.5	12	82	85	86
72"	52000	26000	10	84	87	89	10	85	88	89.5	10	86	89	90	12	87	90	92.5	12	88	91	93

*W-Dimension is calculated by multiplying (INSULATION OD*0.65), used only for supports pipe size 6" and larger

Applications & Features:

- Accommodates axial travel up to 3" if shoe is offset from supporting steel
- Accommodates lateral load up to 50% of actual vertical load
- Temperature range from -425 Deg F to 275 Deg F
- Teflon®/2B SS 304 slide plates on shoe and supporting steel on sizes 26" and larger
- Design loads based on a safety factor of 5
- A36 Steel construction
- See technical specification RCS-750
- Test results available upon request
- Steel finish available in galvanized or painted finishes
- Support features high density water blown polyurethane with vapor barrier
- Support constructed in accordance with ASME B31.1, B31.3 and MSS-SP58
- Exposed surfaces of polyurethane are coated with monolar mastic
- Support supplied with structural lateral restraints
- A307 or A193 B7 Plated bolts/studs
- For special applications or for information on other insulation thicknesses or pipe sizes, please contact us.

Ordering Instructions:

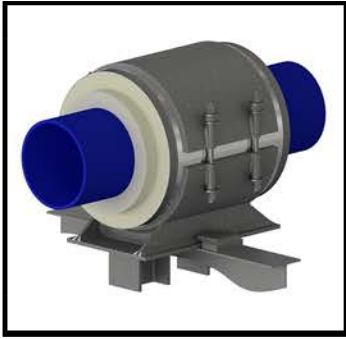
To Order, Please Specify:

- Model Number
- Nominal Pipe Size
- Insulation Thickness
- BOP
- Support Length
- Vertical Load
- Lateral & Axial Movements

* See last page of this document for new designation model number construction

** Information presented on this page subject to change without notice.





CAPF - 4x1.5-4-12-400-140-250

TEMPERATURE CLASSIFICATION

HOT (H) - (typical range 0°F to 1200°F)

COLD (C) - (typical range -450°F to 200°F)

DUAL TEMP (D) - (typical range -450°F to 1200°F)

FUNCTION

SLIDE (S) (for vertically restrained pipe)
i.e. HSCS-3x1.5-4-12-2100

- **SLIDE** (H) (for vertically restrained pipe, high lateral travel)
i.e. HS(H)CS-1x1.5-4-6-225-80

GUIDE (G) (for vertically and laterally restrained pipe)
i.e. HGCS-6x1.5-4-6-1275-450

- **GUIDE** (L) (for vertically and laterally restrained pipe, allows uplift of piping)
i.e. HG(L)CS-1x1.5-4-6-225-80

- **GUIDE** (M) (for vertically and laterally restrained pipe, guided at cradle)
i.e. HG(M)CS-1x1.5-4-6-225-80

ANCHOR (A) (for vertically, laterally and axially restrained pipe)
i.e. HACS-4x1.5-4-6-840-295-1730

HANGING (H) (for vertically restrained pipe)
i.e. HHCS-3x1.5-4-12-2100

RISER (V) (for vertically restrained pipe)
i.e. HVCS-3x1.5-4-12-2100

FLAT (F) (for vertically restrained pipe)
i.e. HFCS-3x1.5-4-12-2100

ROLLER (R) (for vertically restrained pipe)
i.e. HRCS-3x1.5-4-12-2100

INSULATION TYPE

Calcium Silicate (CS)

PyroWrap (PW) (Aspen Aerogels Pyrogel® XT-E)

Polyurethane Foam (PF)

FOAMGLAS® (FG)

CryoWrap (CW) (Aspen Aerogels Cryogel® Z)

